

PS-LX320 / 340

SERVICE MANUAL



PHOTO : PS-LX320

PS-LX320:
US Model
Canadian Model
AEP Model
UK Model

PS-LX340:
US Model
Canadian Model
AEP Model

SPECIFICATIONS

Turntable

Platter	30.0 cm (12 in.), aluminum-alloy diecast
Motor	DC servo motor
Drive system	Belt drive
Control system	DC servo control system
Speed	33 $\frac{1}{3}$ rpm, 45 rpm
Starting characteristics	Comes to nominal speed within $\frac{1}{2}$ revolution (33 $\frac{1}{3}$ rpm)
Wow and flutter	0.045% (WRMS)
Signal-to-noise ratio	70 dB (DIN-B)
Automatic system	Lead-in, return, reject, repeat, record size selection

Tonearm

PX-LX320 :

Type	Dynamically balanced
Pivot-to-stylus length	216.5 mm (8 $\frac{1}{2}$ in.)
Overhang	16.5 mm ($2\frac{1}{32}$ in.)

PS-LX340 :

Type	Statically balanced
Pivot-to-stylus length	216.5 mm (8 $\frac{1}{2}$ in.)
Overhang	16.5 mm ($2\frac{1}{32}$ in.)
Usable cartridge	Plug-in type, 6 g

Cartridge

PS-LX320 : VL-24G

Type	Moving magnet type
Frequency response	20 Hz to 20 kHz
Channel separation	20 dB at 1 kHz
Output voltage	2.5 mV at 1 kHz, 5 cm/sec.
Load impedance	50 to 100 kilohms
Tracking force	2 g
Stylus	Sony ND-142G (conical 0.6 mil diamond)
Weight	8 g


PS-LX340 (US, Canadian model): VL-45G

Supplied for certain models


Type	Moving magnet type
Frequency response	20 Hz to 20 kHz
Channel separation	20 dB at 1 kHz
Output voltage	3.5 mV at 1 kHz, 5 cm/sec.
Load impedance	47 to 100 kilohms
Tracking force	1.25 g
Stylus	Sony ND-145G
Weight	6 g

— Continued on page 2 —

ATTENTION AU COMPOSANT AYANT RAPPORT
 À LA SÉCURITÉ!

LES COMPOSANTS IDENTIFIÉS PAR UNE TRAME ET UNE MARQUE  SUR LES DIAGRAMMES SCHEMATIQUES ET LA LISTE DES PIÈCES SONT CRITIQUES POUR LA SÉCURITÉ DE FONCTIONNEMENT. NE REMPLACER CES COMPOSANTS QUE PAR DES PIÈCES SONY DONT LES NUMÉROS SONT DONNÉS DANS CE MANUEL OU DANS LES SUPPLÉMENTS PUBLIÉS PAR SONY.

SAFETY-RELATED COMPONENT WARNING!!

COMPONENTS IDENTIFIED BY SHADING AND MARK  ON THE SCHEMATIC DIAGRAMS AND IN THE PARTS LIST ARE CRITICAL TO SAFE OPERATION. REPLACE THESE COMPONENTS WITH SONY PARTS WHOSE PART NUMBERS APPEAR AS SHOWN IN THIS MANUAL OR IN SUPPLEMENTS PUBLISHED BY SONY.

STEREO TURNTABLE SYSTEM
SONY®



AUD

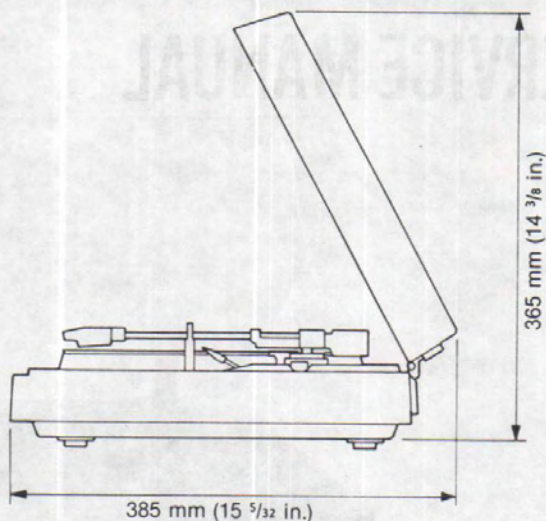
PS-LX320/340

PS-LX320 (AEP model): XL-300G

Type	Moving magnet type
Frequency response	20 Hz to 20 kHz
Channel separation	20 dB at 1 kHz
Output voltage	3 mV at 1 kHz, 5 cm/sec.
Load impedance	47 to 100 kilohms
Tracking force	1.25 g
Stylus	Sony ND-300G
Weight	6 g

General

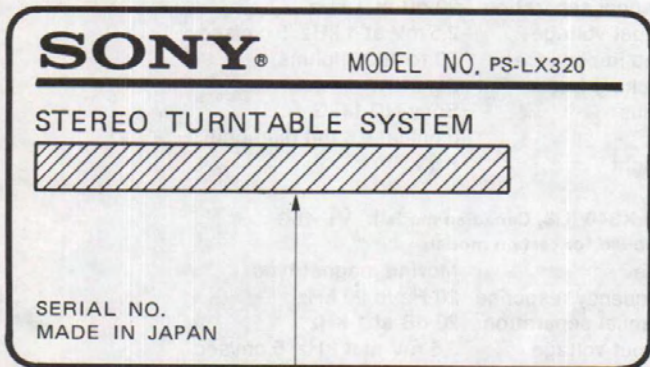
Power requirements	US, Canadian model: 120 V ac, 60 Hz AEP model: 220 V ac, 50/60 Hz UK model: 240 V ac, 50/60 Hz
Power consumption	7 W
Dimensions	Approx. 430 x 110 x 360 mm (w/h/d) (17 x 4 ³ / ₈ x 14 in.) including projecting parts and controls
Weight	Approx. 3.5 kg (7 lbs 12 oz), net Approx. 4.5 kg (9 lbs 10 oz), in shipping carton



MODEL IDENTIFICATION

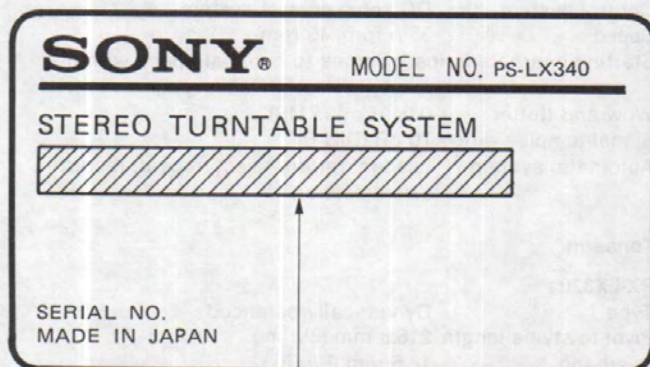
— Specification Label —

PS-LX320



US, Canadian model: AC: 120V ~ 60 Hz 7W
AEP model: AC: 220V ~ 50/60Hz 7W
UK model: AC: 240V ~ 50/60Hz 7W

PS-LX340



US, Canadian model: AC: 120V ~ 60Hz 7W
AEP model: AC: 220V ~ 50/60Hz 7W

SAFETY CHECK-OUT (US Model)

After correcting the original service problem, perform the following safety check before releasing the set to the customer:

Check the antenna terminals, metal trim, "metallized" knobs, screws, and all other exposed metal parts for AC leakage. Check leakage as described below.

LEAKAGE TEST

The AC leakage from any exposed metal part to earth ground and from all exposed metal parts to any exposed metal part having a return to chassis, must not exceed 0.5 mA (500 microamperes). Leakage current can be measured by any one of three methods.

1. A commercial leakage tester, such as the Simpson 229 or RCA WT-540A. Follow the manufacturers' instructions to use these instruments.
2. A battery-operated AC milliammeter. The Data Precision 245 digital multimeter is suitable for this job.
3. Measuring the voltage drop across a resistor by means of a VOM or battery-operated AC voltmeter. The "limit" indication is 0.75 V, so analog meters must have an accurate low-voltage scale. The Simpson 250 and Sanwa SH-63Trd are examples of a passive VOM that is suitable. Nearly all battery operated digital multimeters that have a 2V AC range are suitable. (See Fig. A)

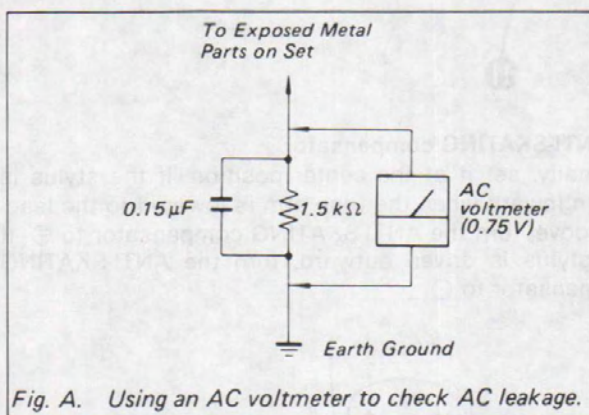
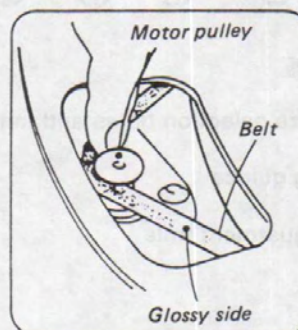


Fig. A. Using an AC voltmeter to check AC leakage.

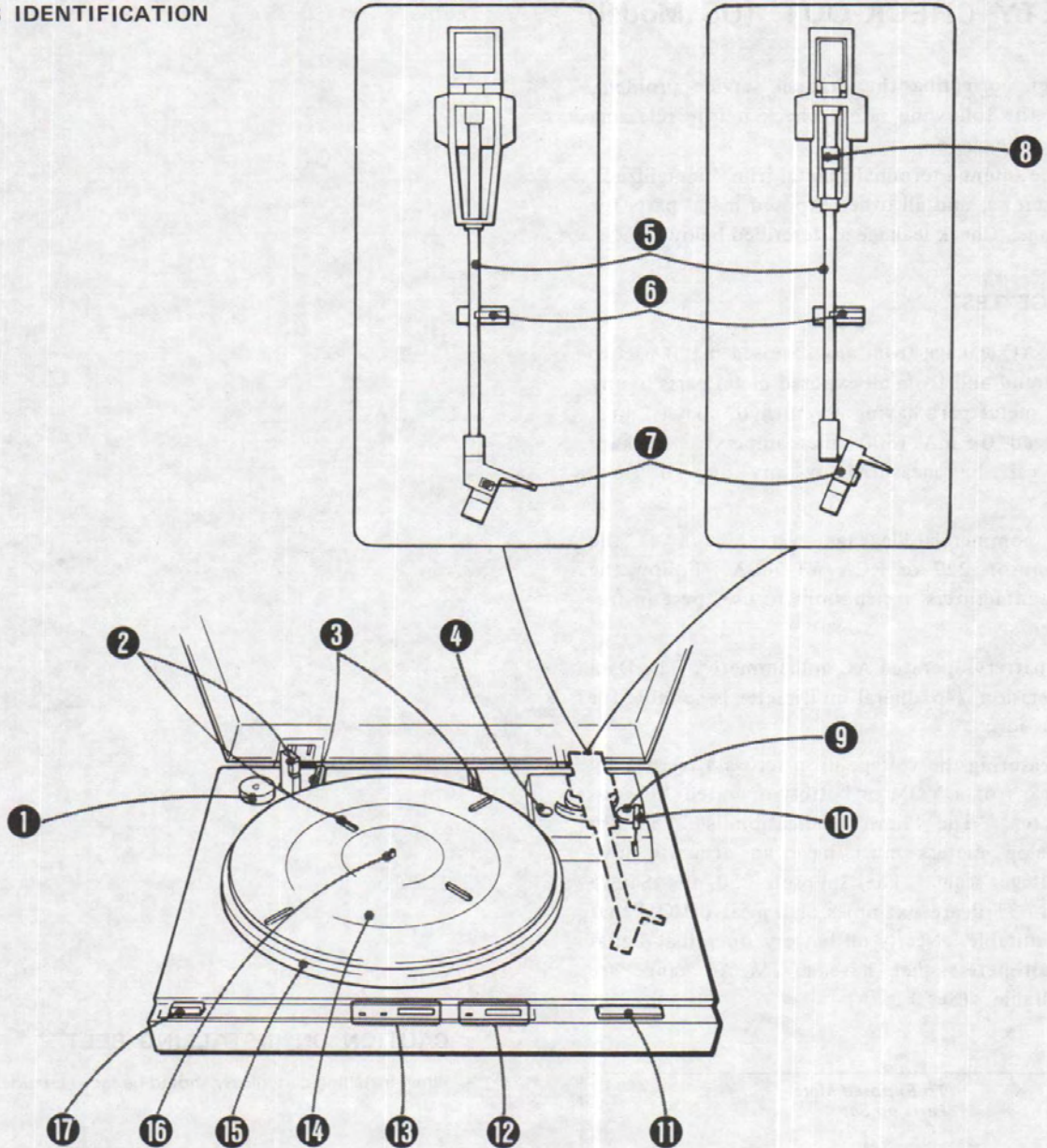
CAUTION ON INSTALLING BELT

When installing belt, glossy should be faced outside.



**SECTION 1
OUTLINE**

1-1. PARTS IDENTIFICATION



- 1** 45-rpm adaptor
- 2** Auto-record-size selection holes and lamp
- 3** Disc centering guides
- 4** Drop point adjustment hole
- 5** Tonearm
- 6** Arm rest
- 7** Cartridge (not supplied with US certain models of PS-LX340)
- 8** Sub-weight

9 ANTI-SKATING compensator
 Normally, set it at the center position. If the stylus is driven inward when the tone arm is lowered to the lead-in groove, turn the ANTI-SKATING compensator to ⊕. If the stylus is driven outward, turn the ANTI-SKATING compensator to ⊖.



⑩ **▼/▼ (cueing) lever**
Used to lift or lower the tonearm.

⑪ **START/STOP button**

⑫ **REPEAT button and indicator**

⑬ **SPEED selector and indicators**

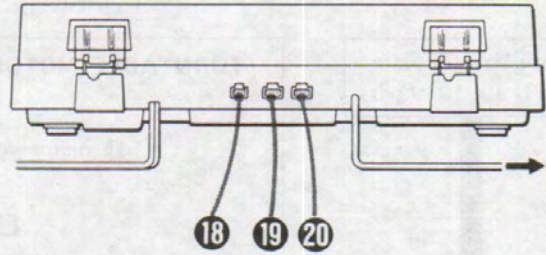
Set the SPEED selector according to the speed of the record to be played. For 45-rpm records, depress the selector when a 45 rpm record is to be played. For a 33¹/₃ records, press it again.

⑭ **Rubber mat**

⑮ **Turntable platter**

⑯ **Center spindle**

⑰ **POWER switch**



⑱ **SYNC connector**

Connect to the SYNC connector of the optional Sony tape deck equipped with a 3-pin flat connector.

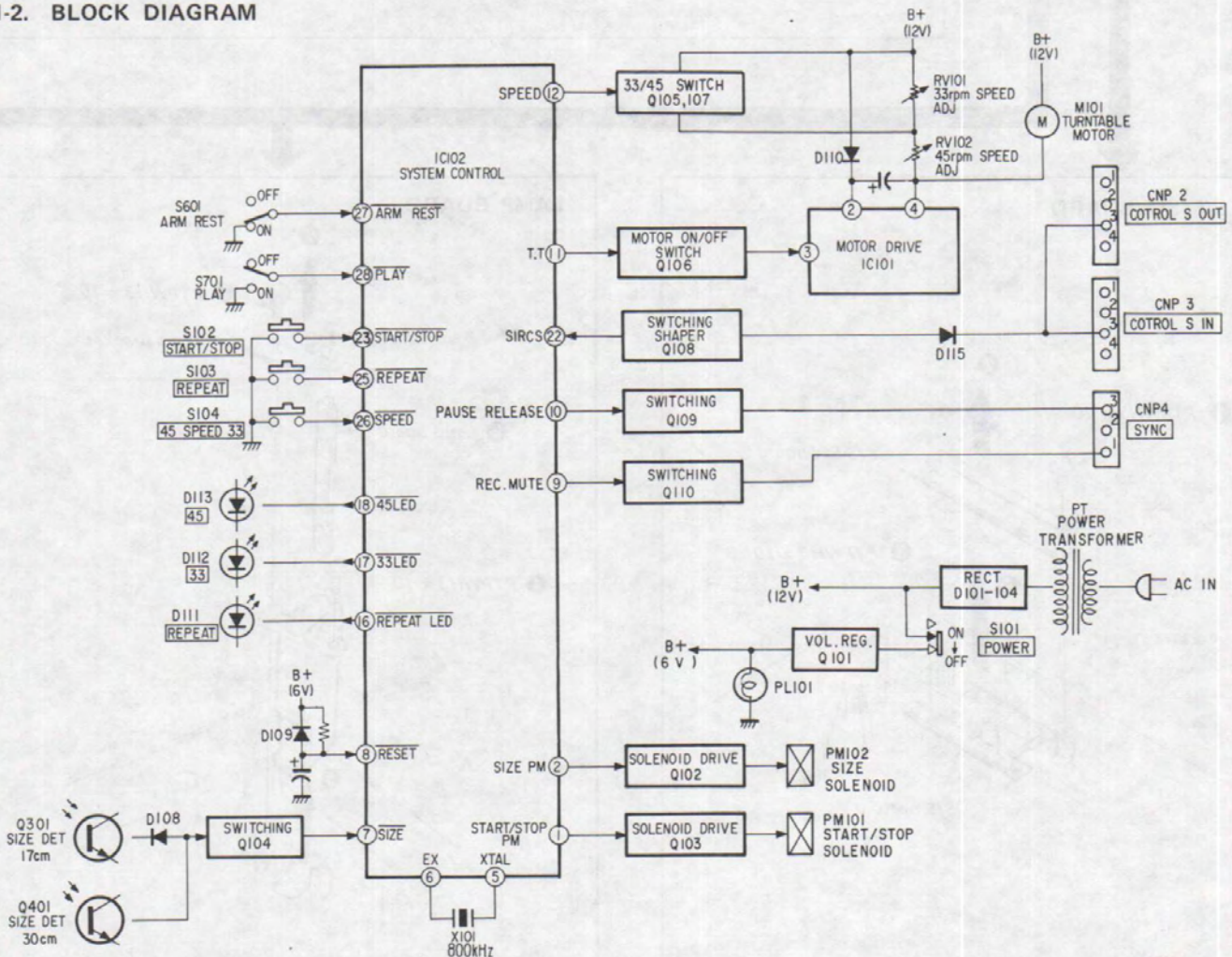
⑲ **CONTROL S IN connector**

Connect to the CONTROL S OUT or **R** REMOTE OUT connector of an optional Sony system control tuner or receiver for whole audio system remote control.

⑳ **CONTROL S OUT connector**

Connect to the CONTROL S IN or **R** REMOTE OUT connector of Sony audio equipment equipped with a 4-pin remote control connector for remote control operation.

1-2. BLOCK DIAGRAM



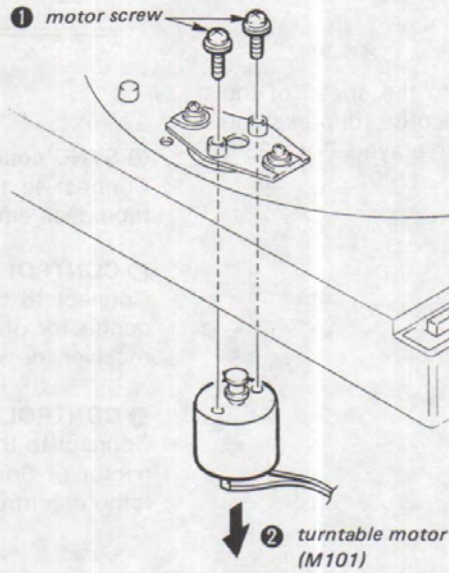
SECTION 2 DISASSEMBLY

2-1. REMOVAL

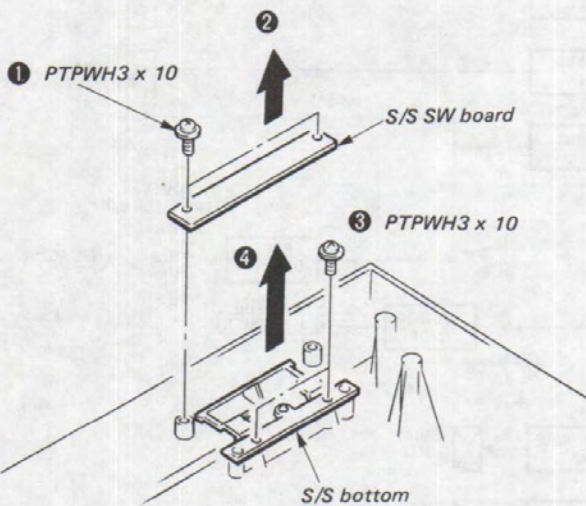
- Follow the disassembly procedure in the numerical order given.

Remove bottom plate.
(PTPWH 3 x 12 9 pcs)

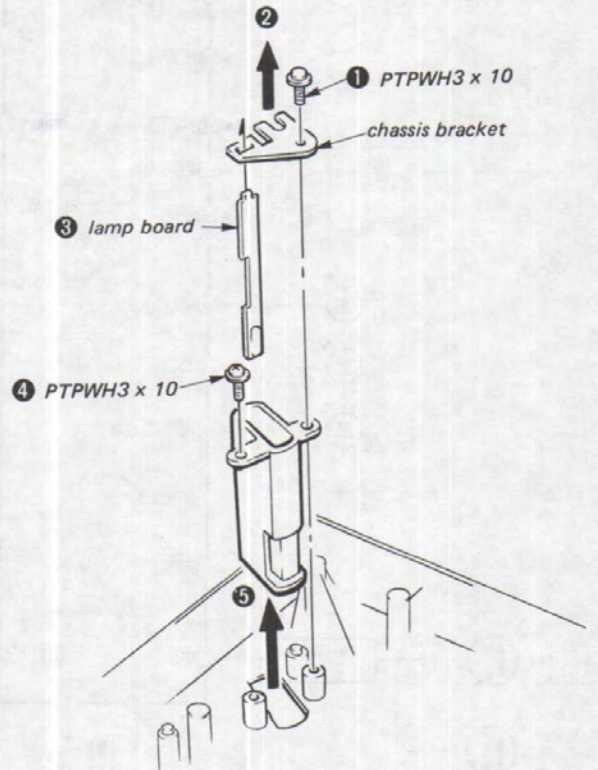
TURNTABLE MOTOR (M101)



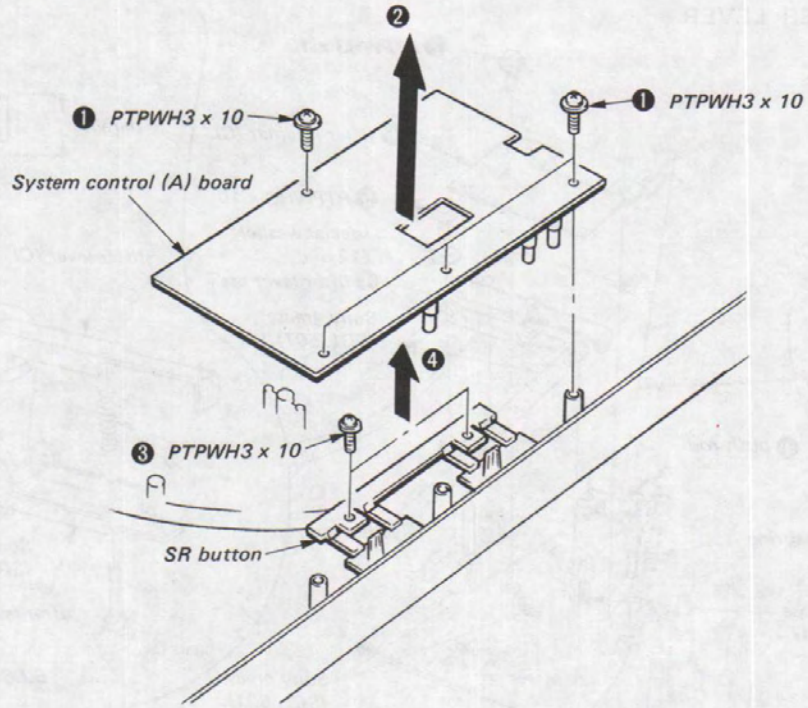
S/S SW BOARD



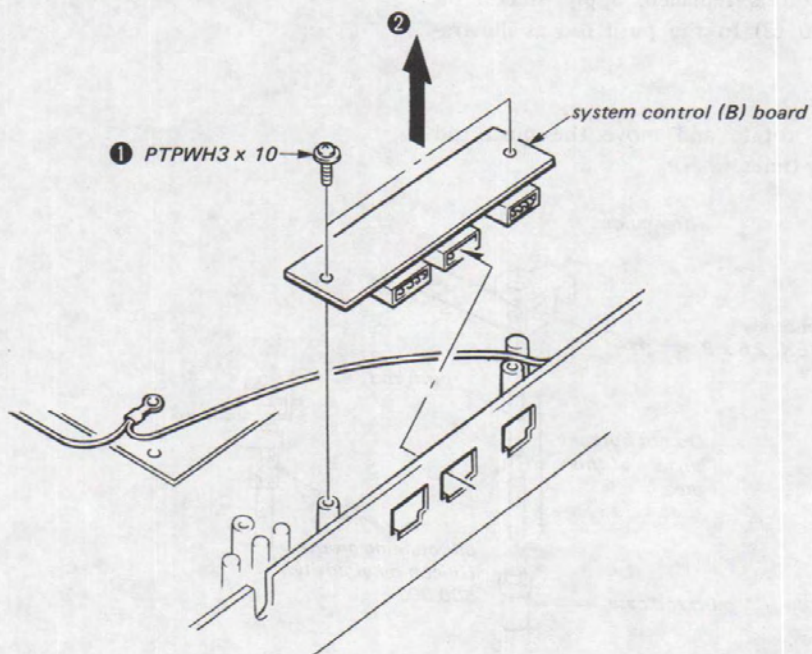
LAMP BOARD



SYSTEM CONTROL (A) BOARD

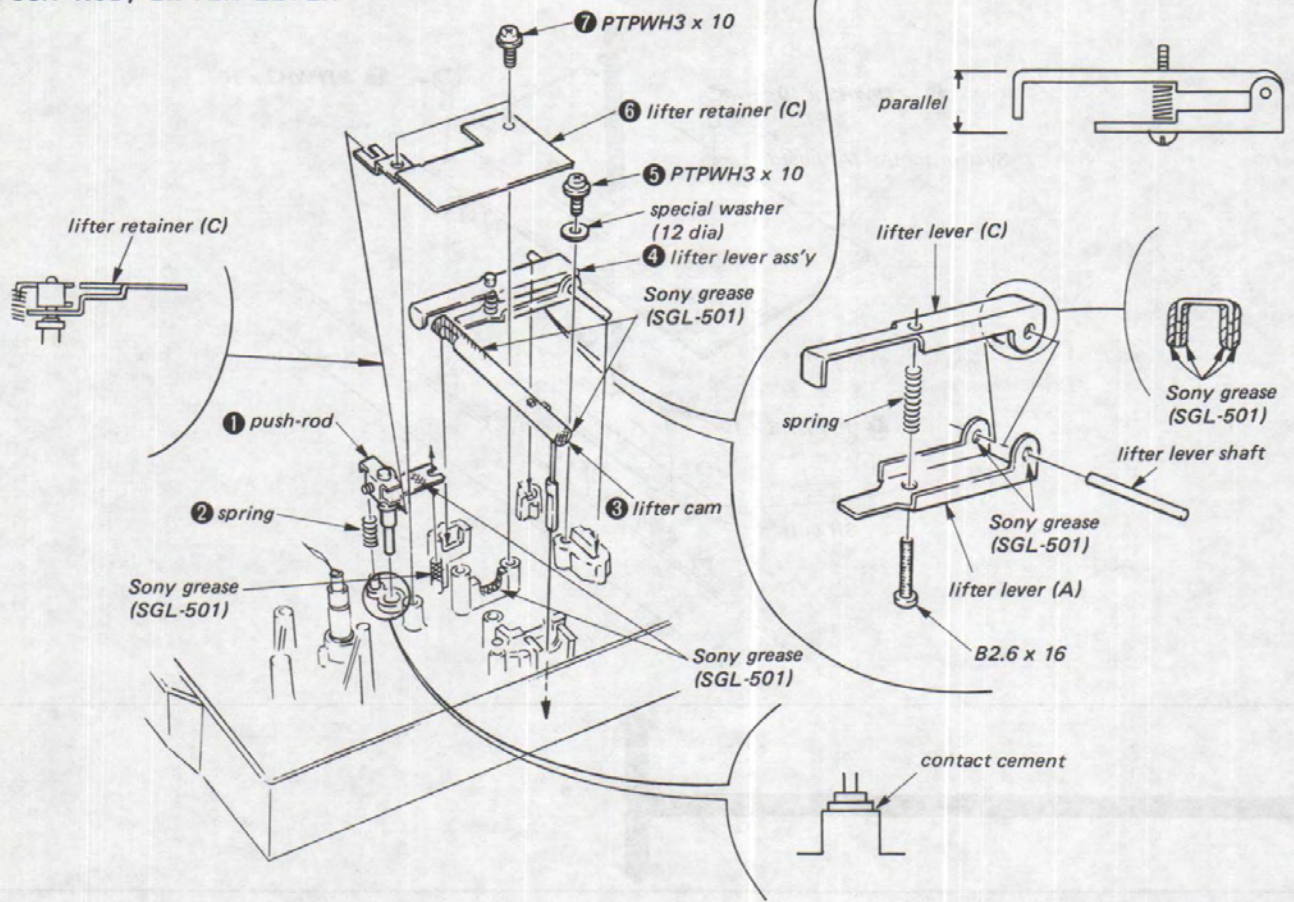


SYSTEM CONTROL (B) BOARD



2.2. INSTALLATION

PUSH ROD, LIFTER LEVER

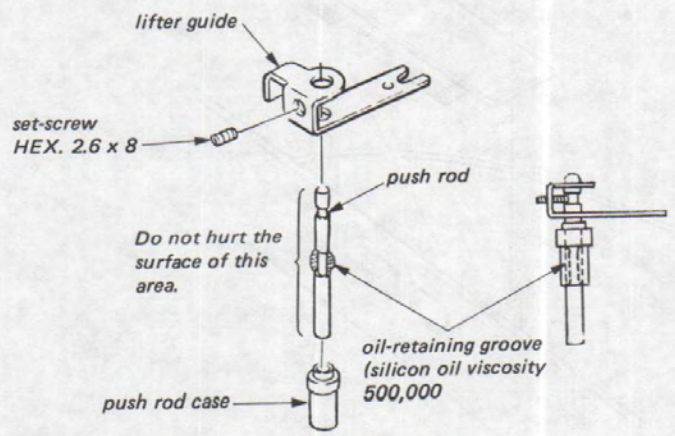


Caution for installation:

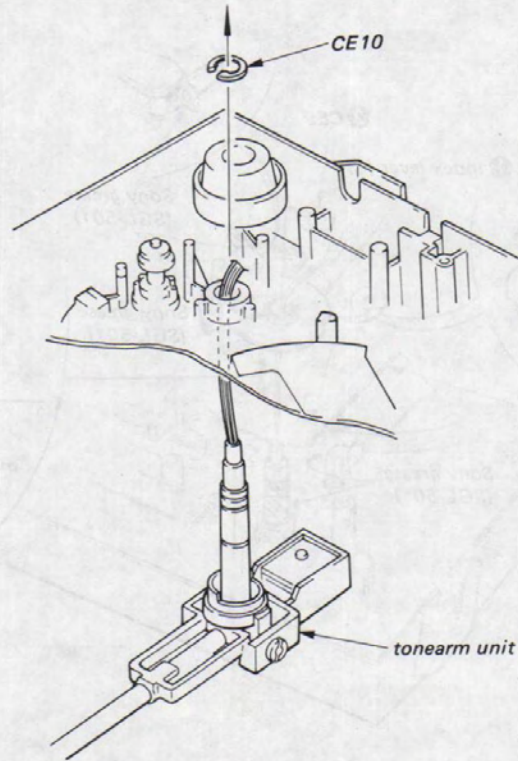
When the push rod is replaced, apply silicon oil (viscosity: 500,000 cs) to the push rod as illustrated below.

Caution:

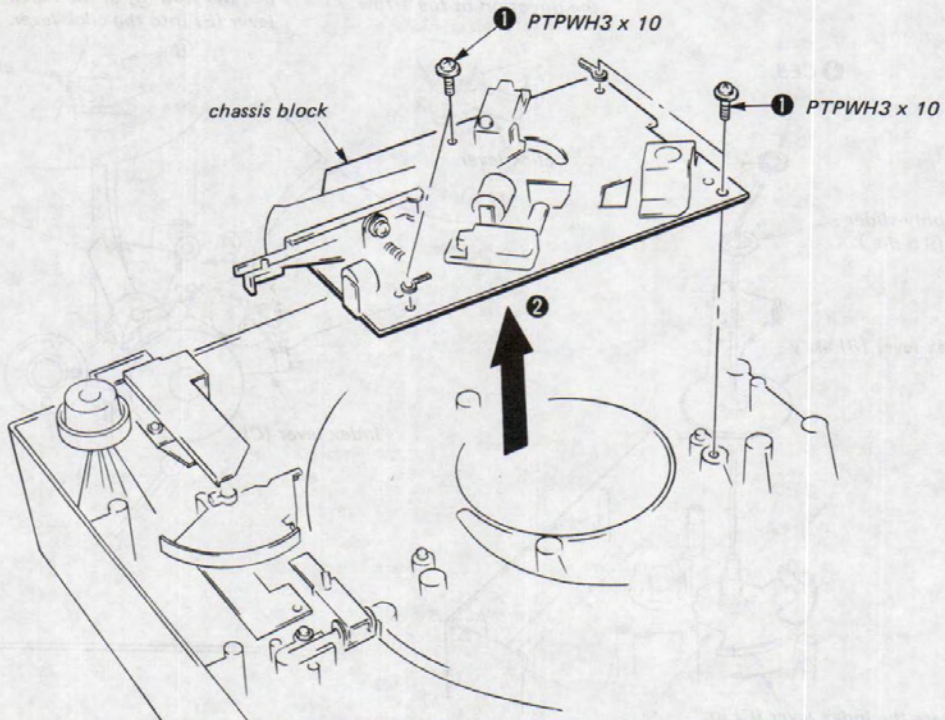
When lubricating, rotate and move the push rod up and down a few times.



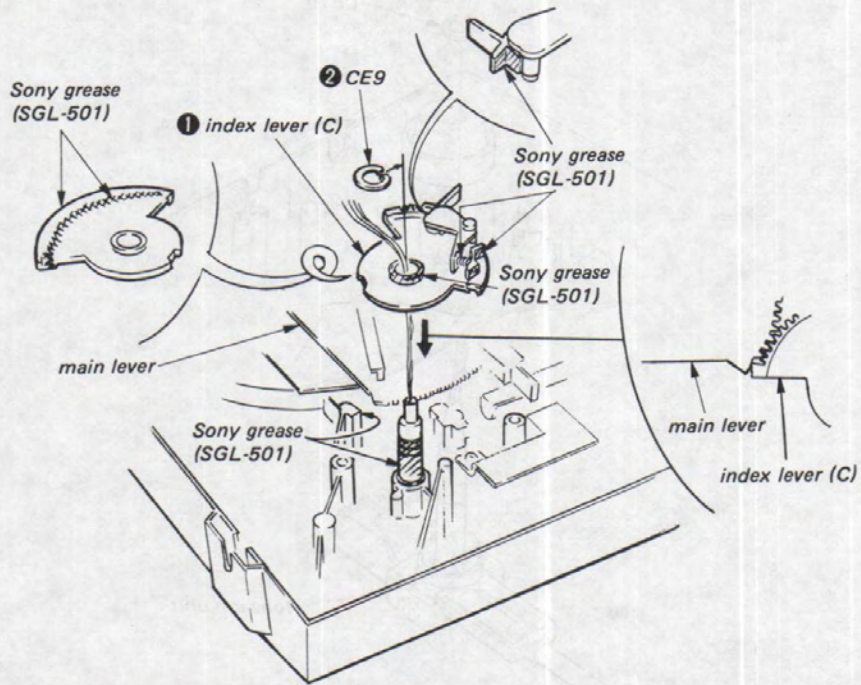
TONE ARM UNIT



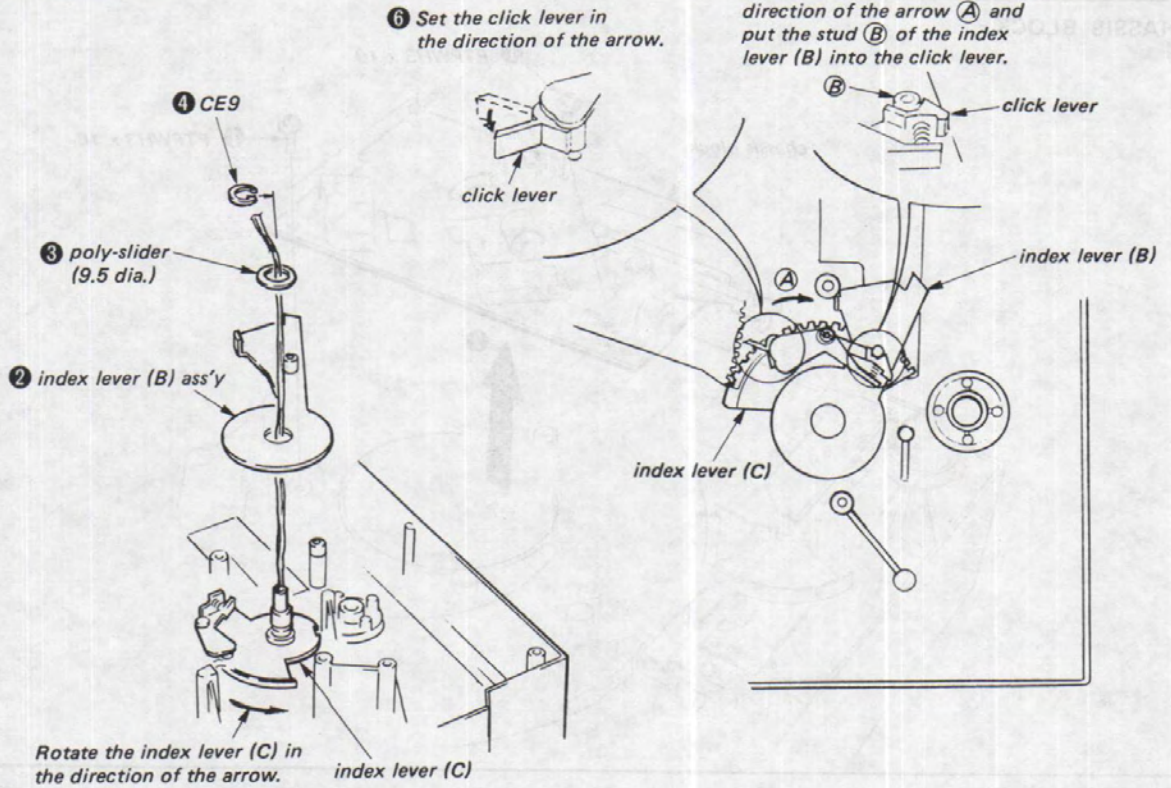
CHASSIS BLOCK



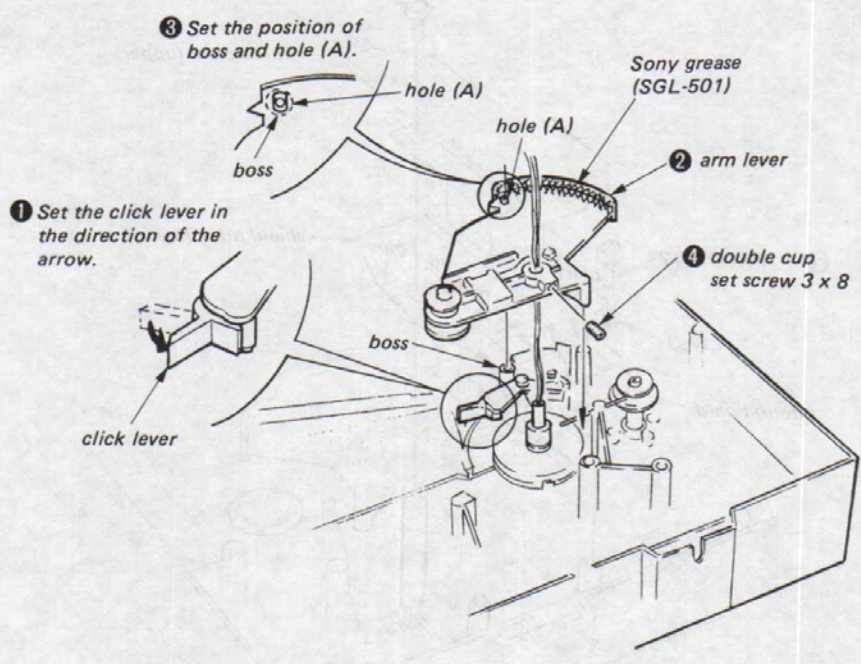
INDEX LEVER (C)



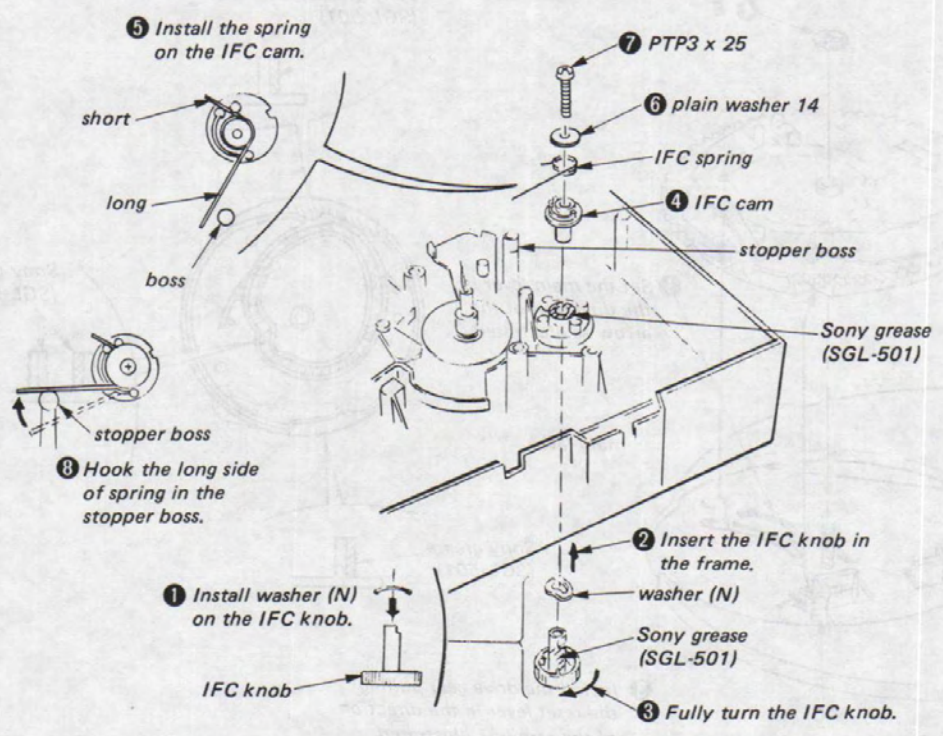
INDEX LEVER (B)

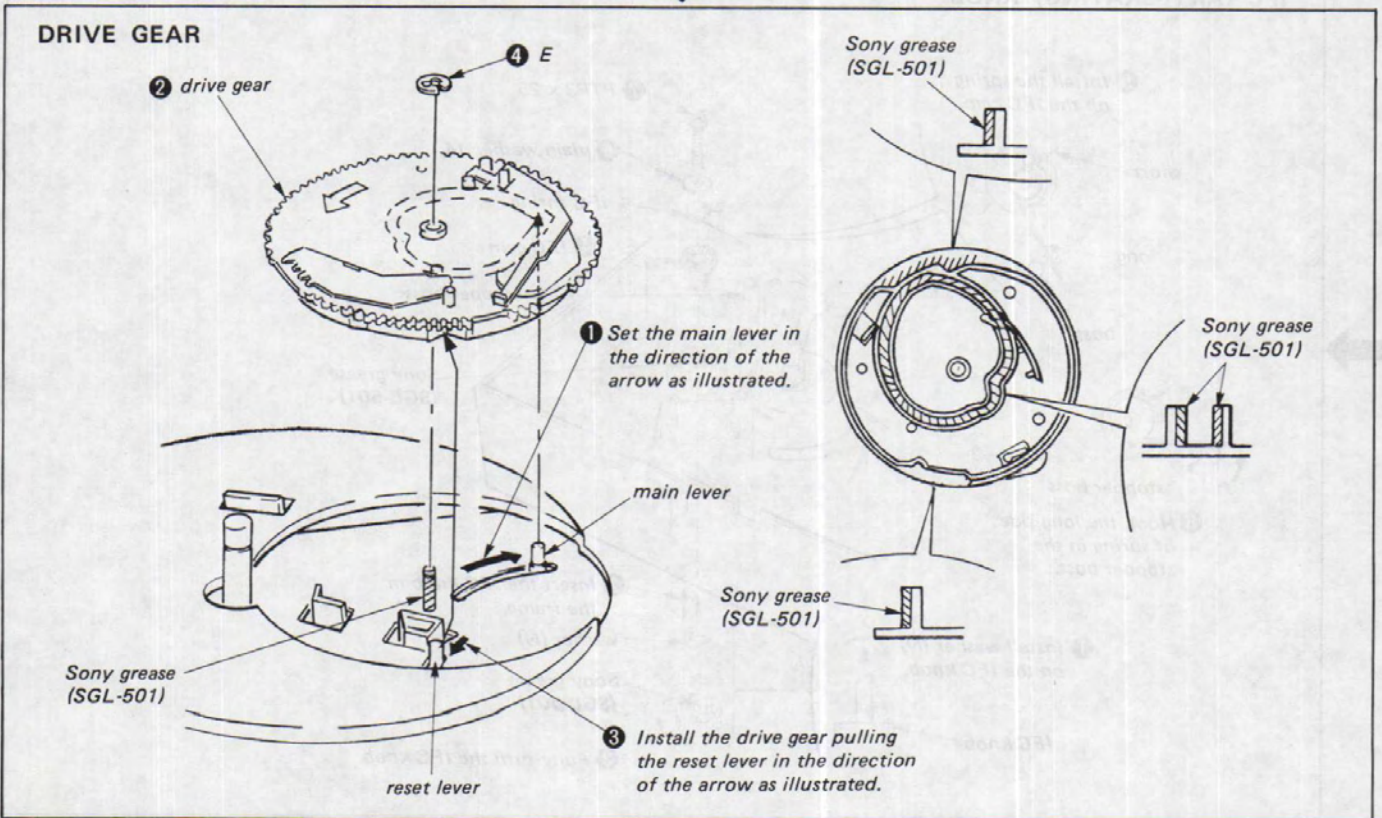
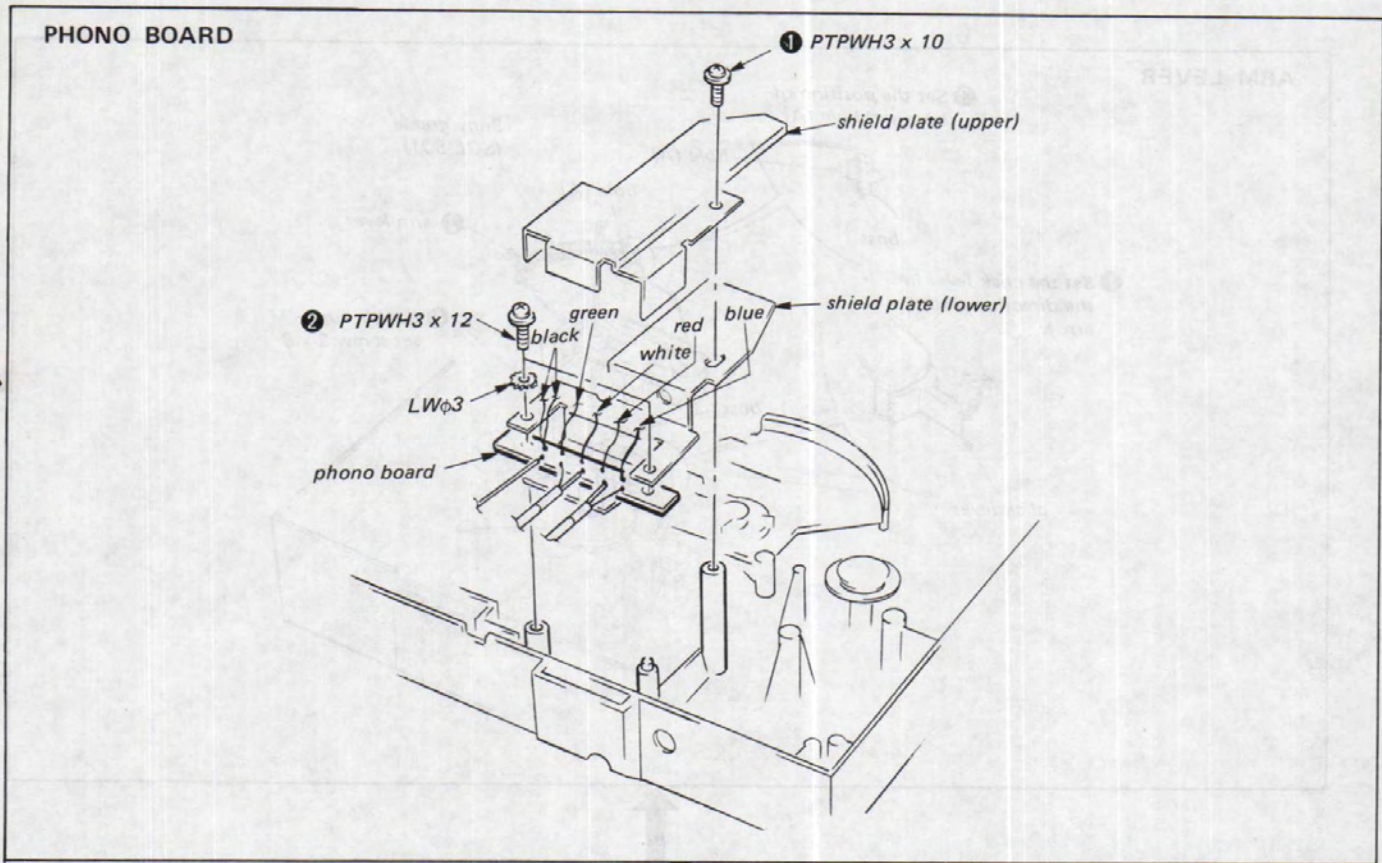


ARM LEVER



IFC (ANTI-SKATING) KNOB

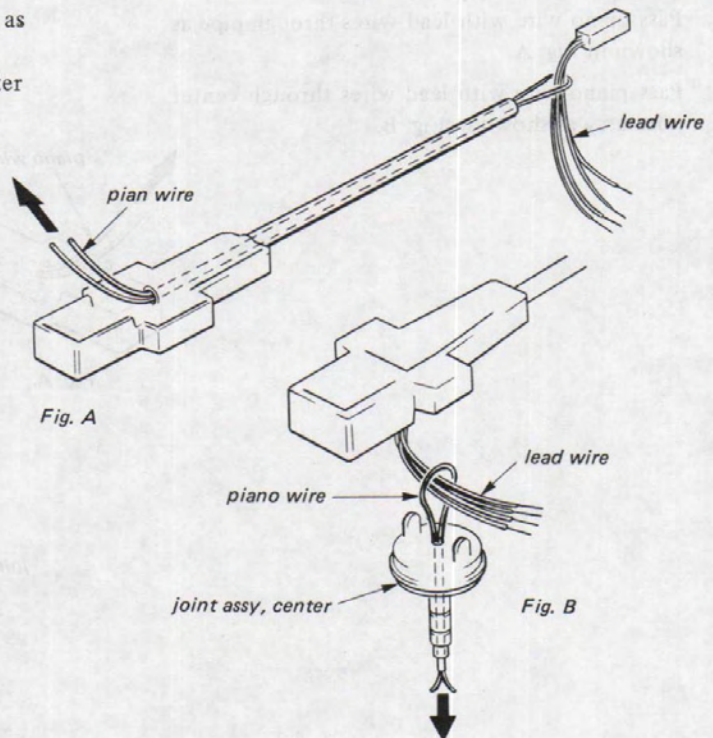




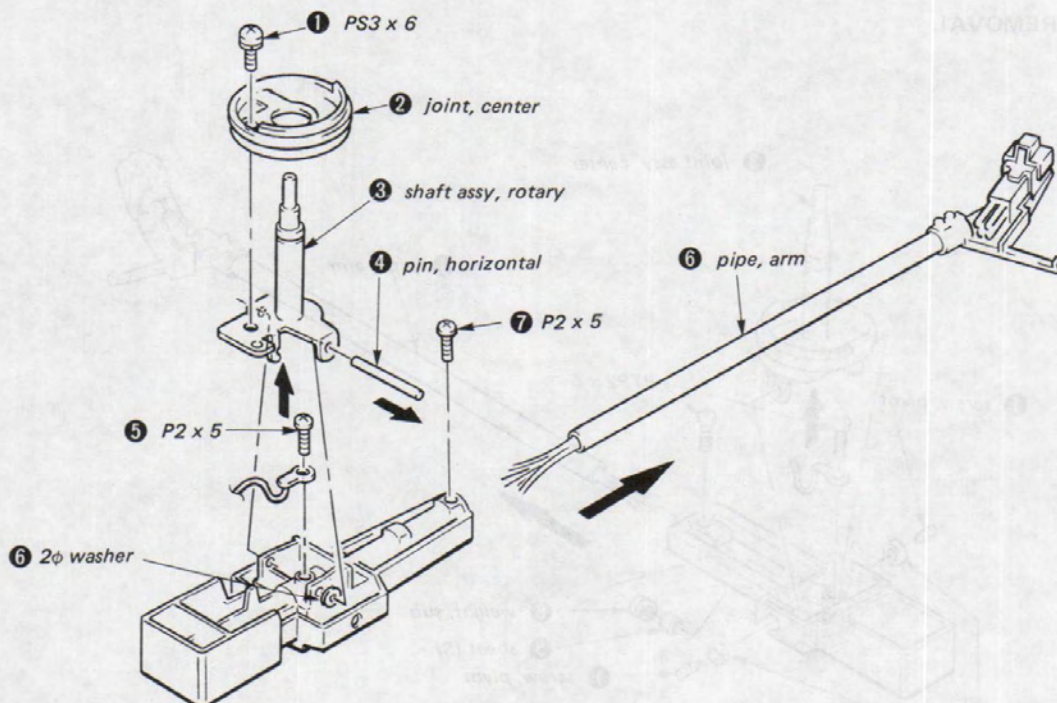
TONEARM (PS-LX320)

1. LEAD WIRE INSTALLATION

- 1-1. Pass piano wire with lead wires through pipe as shown in Fig. A.
- 1-2. Pass piano wire with lead wires through center joint assy as shown in Fig. B.



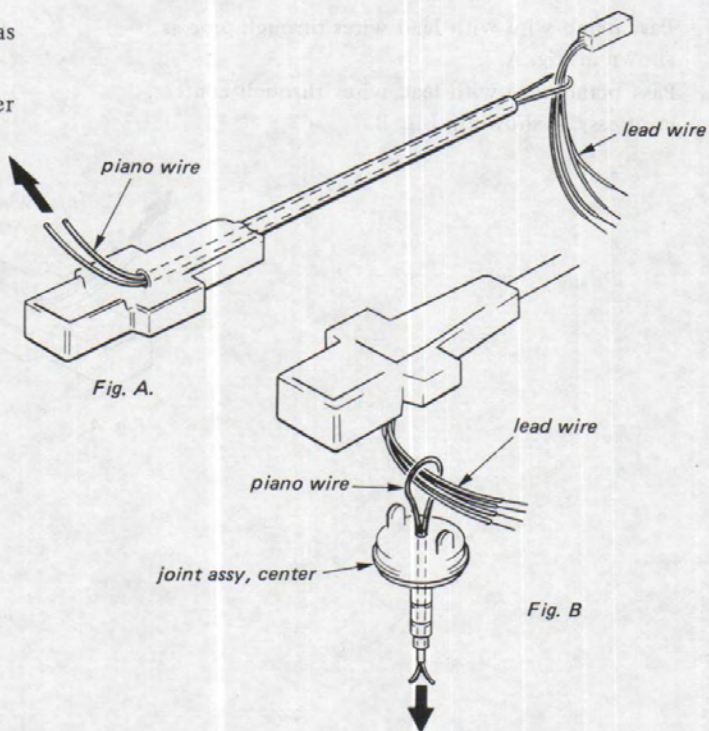
2. ARM PIPE REMOVAL



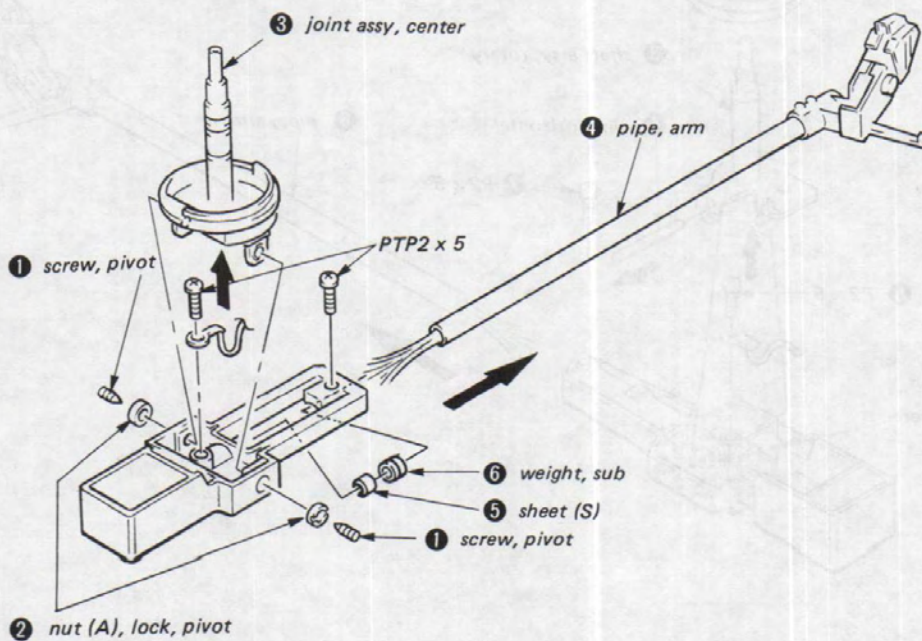
TONEARM (PS-LX340)

1. LEAD WIRE INSTALLATION

- 1-1. Pass piano wire with lead wires through pipe as shown in Fig. A.
- 1-2. Pass piano wire with lead wires through center joint assy as shown in Fig. B.



2. ARM PIPE REMOVAL



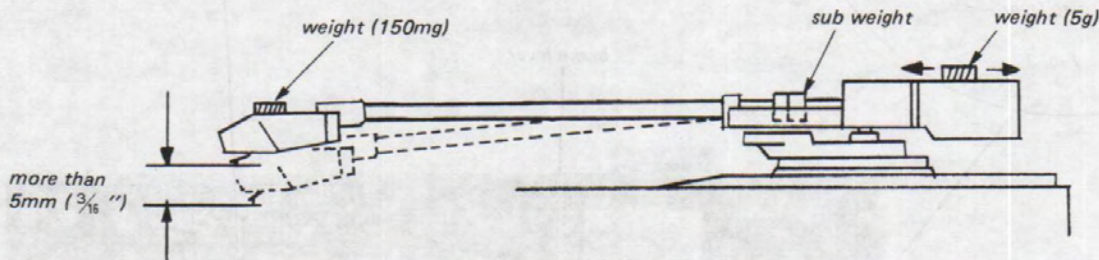
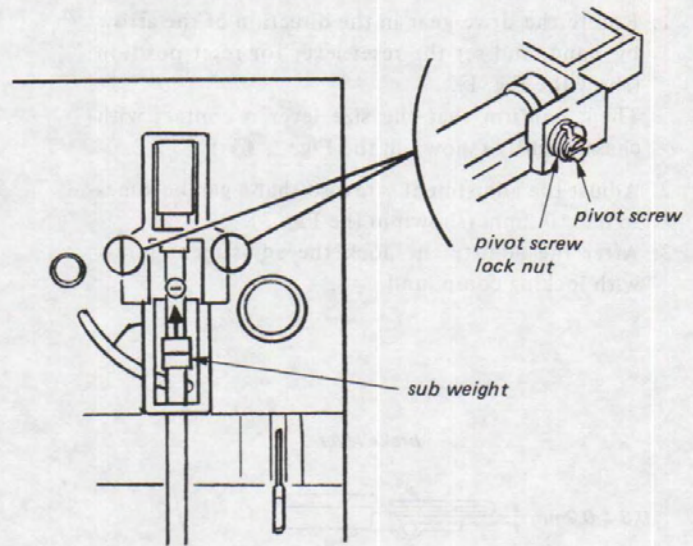
SECTION 3 ADJUSTMENTS

3-1. MECHANICAL ADJUSTMENTS

Longitudinal Sensitivity Adjustment (PS-LX310/310(C))

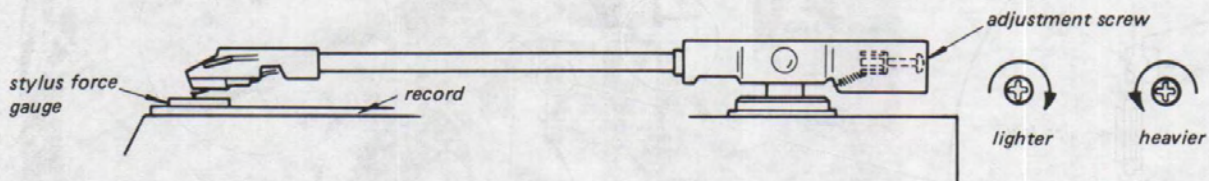
1. Install the cartridge and slide the sub weight at \ominus side.
2. Place a weight of about 5g on the pipe joint.
3. Adjust the weight position so that the arm is balanced.
4. Place a weight of about 150mg on the cartridge (right over the stylus).
5. Adjust the pivot screw so that the stylus tip goes down 5mm or more.

Note: If the pivot screw is secured excessively, the pivot bearing may be damaged.



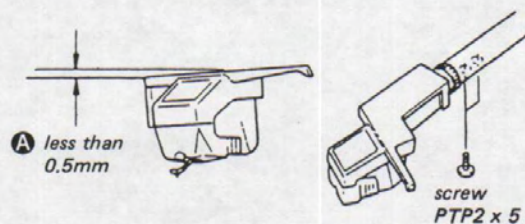
Stylus Force Adjustment (PS-LX320)

1. Turn the adjustment screw to obtain zero balance.
2. Turn the adjustment screw again so that the stylus force becomes 2g on the stylus force gauge.



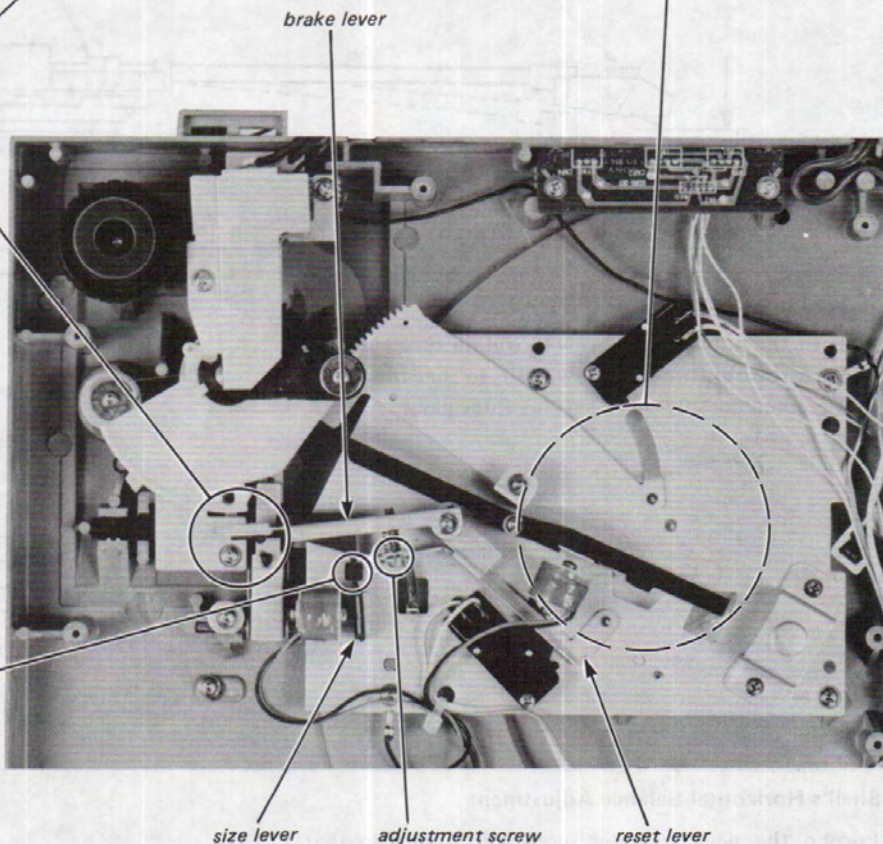
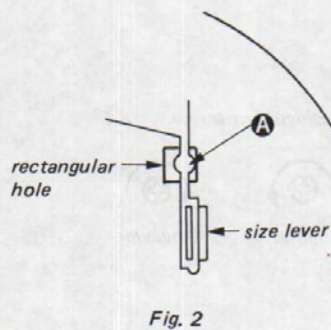
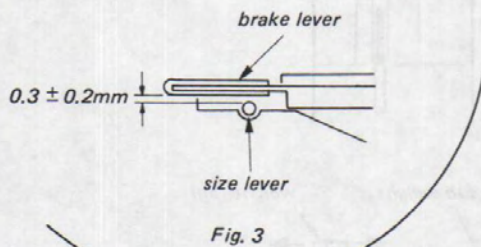
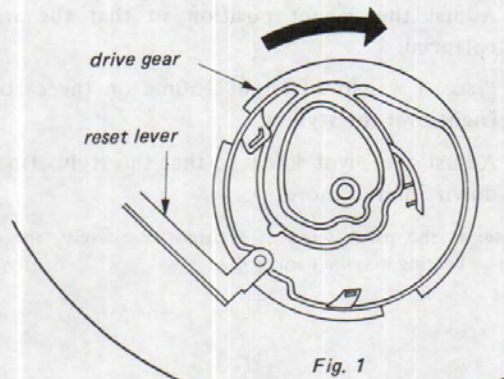
Shell's Horizontal Balance Adjustment

Loosen the neck cylinder screw and adjust so that section **A** (shell slant) is less than 0.5mm.



Brake Lever Position Adjustment

1. Rotate the drive gear in the direction of the arrow by hand, and set the reset lever for reset position (show the Fig. 1).
Then, confirm that the size lever is contact with chassis lightly (shown in the Fig. 2, **A**).
2. Adjust the adjustment screw so that a gap becomes in $0.3 \pm 0.2\text{mm}$ (shown in the Fig. 3).
3. After the adjustment, lock the adjustment screw with locking compound.



3-2. ELECTRICAL ADJUSTMENT

Stylus Height Adjustment

Note: Perform both adjustment for manual and automatic operations.

1. Automatic

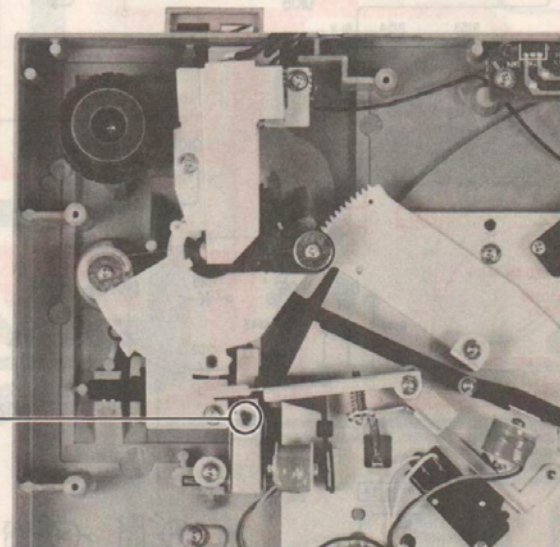
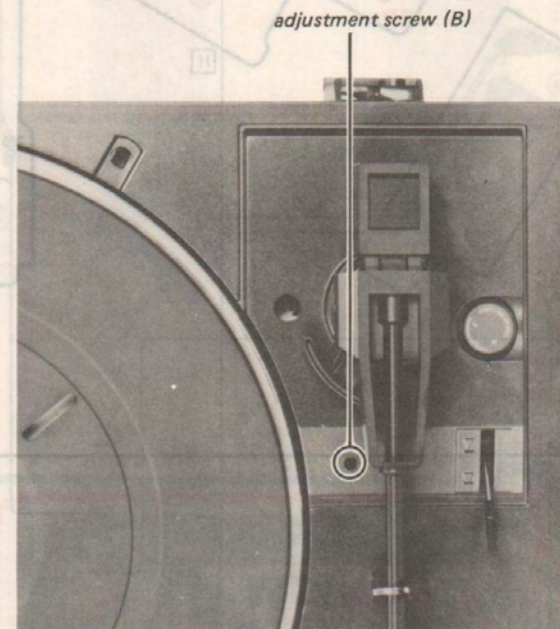
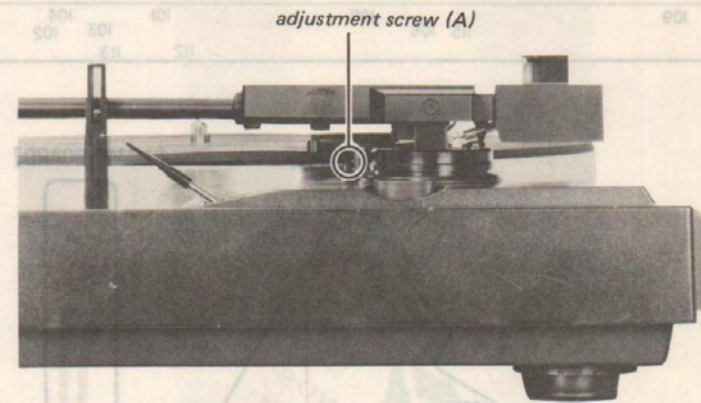
- 1) Put a test record on the mat.
- 2) Depress the lifter lever to make a lifterdown mode.
- 3) Move the tonearm to out of groove at record by hand.
- 4) Rotate the turntable by hand and at make tonearm lead-in.
- 5) Move the tonearm to out of groove of record by hand again.
- 6) Rotate the turntable by hand and make the tonearm.
- 7) Then, loosen the adjustment screw (A) and adjust the height of the tonearm lifter so that the stylus height becomes in 4 – 8mm.
- 8) Rotate the turntable by hand slowly and move the tonearm to the most outer groove of record.
- 9) Confirm that stylus height becomes in 4–8mm.

2. Manual

- 1) Put a test record on the mat.
- 2) Move the tonearm to out of groove of record by hand.
- 3) Rotate the turntable by hand and make the tonearm lead-in.
- 4) Raise the lifter lever to make a lifter-up mode.
- 5) Move the tonearm until most outer groove of record by hand.
- 6) Adjust the adjustment screw (B) so that the stylus height becomes in 4–8mm.
- 7) Move the tonearm to the out of groove of record by hand.
Confirm that stylus height becomes in 4–8mm.
- 8) Rotate the turntable by hand and return the tonearm to arm rest.
- 9) After the adjustment, lock the portion A with suitable locking compound.

Note:

- Stylus height difference should be within 2mm, between automatic and manual operation. When the arm returns.
- The tonearm should be not contact with the top part of the rest when the tonearm returns.

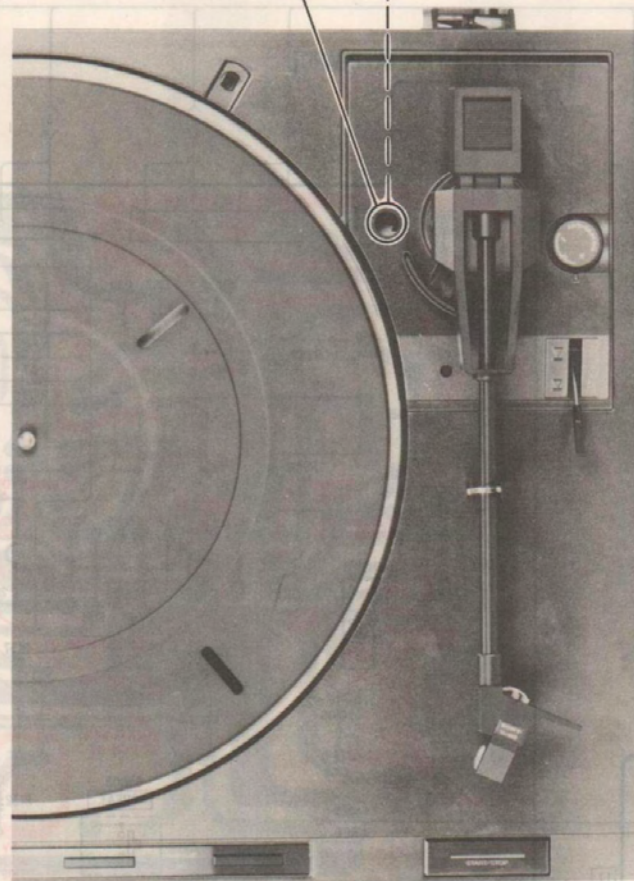
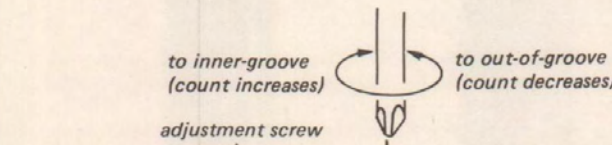


Stylus Drop-point Adjustment

Note: Stylus force adjustment should be completed.

1. Put a test record YFSC-16 on the mat.
2. Set the SPEED switch to 33.
3. Press the START/STOP button.
4. By using a screwdriver, turn the adjustment screw so that the stylus tip drops on the record at the 4–16 counts position.

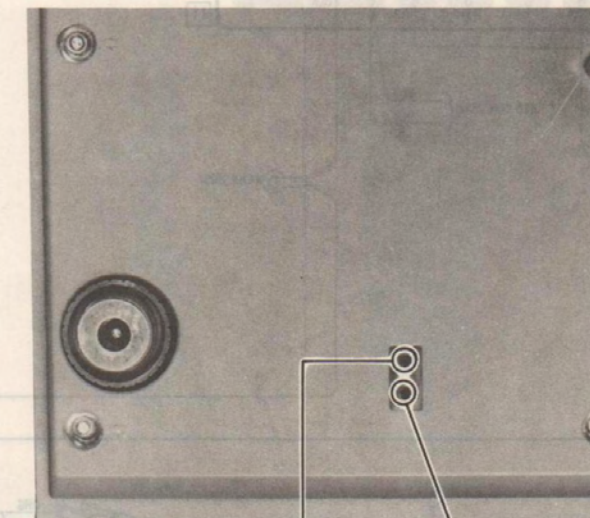
Note: The proper adjustment for a 30cm record is also correct for a 17cm record.



Speed Adjustment

Note: Be sure to perform 45rpm adjustment before 33rpm.

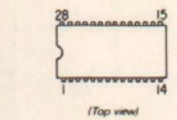
1. Put a stroboscope board on the mat.
Press the START/STOP button.
Adjust RV102 so that the stripped pattern of stroboscope board is stationary.
3. Set the SPEED switch to 33.
Adjust RV101 in the same way.



RV101 (22 rpm)
RV201 (45 rpm)

• Semiconductor Lead Layouts

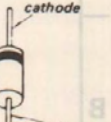
LM6416E-557



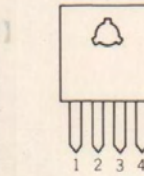
2SA733
2SD1388



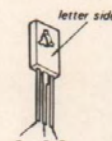
10E-2
RD6.8E-N1



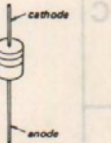
μPC1470H



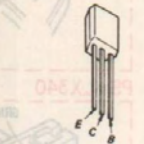
2SD809



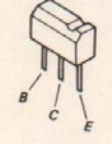
1SS202-1



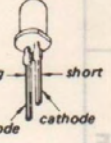
2SB808
DTC114ES



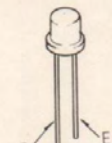
DTC114EF

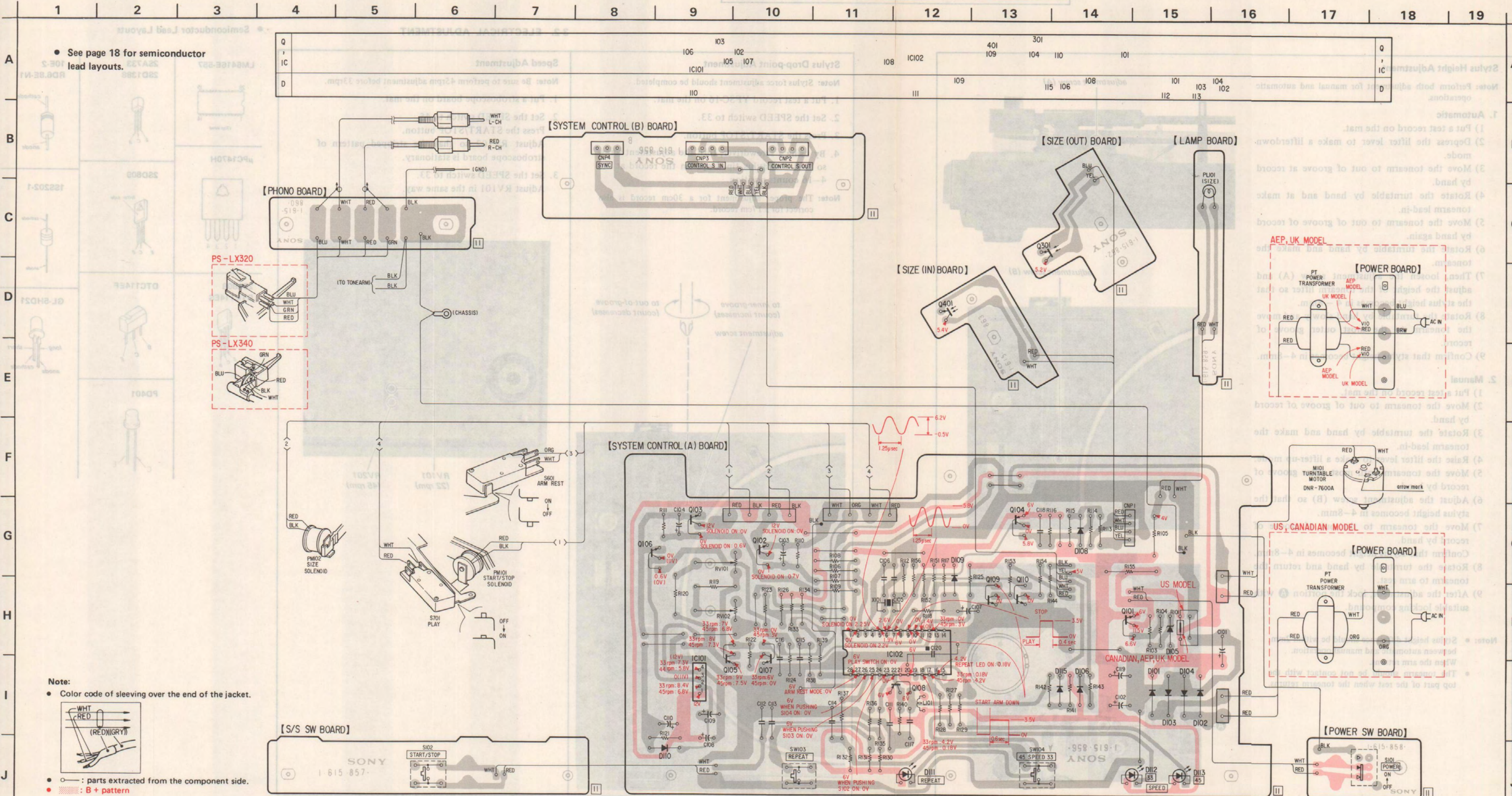


GL-5HD21

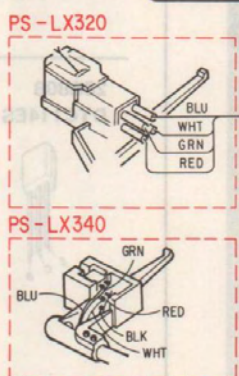


PD401

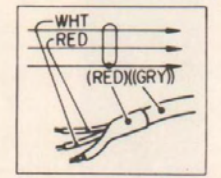




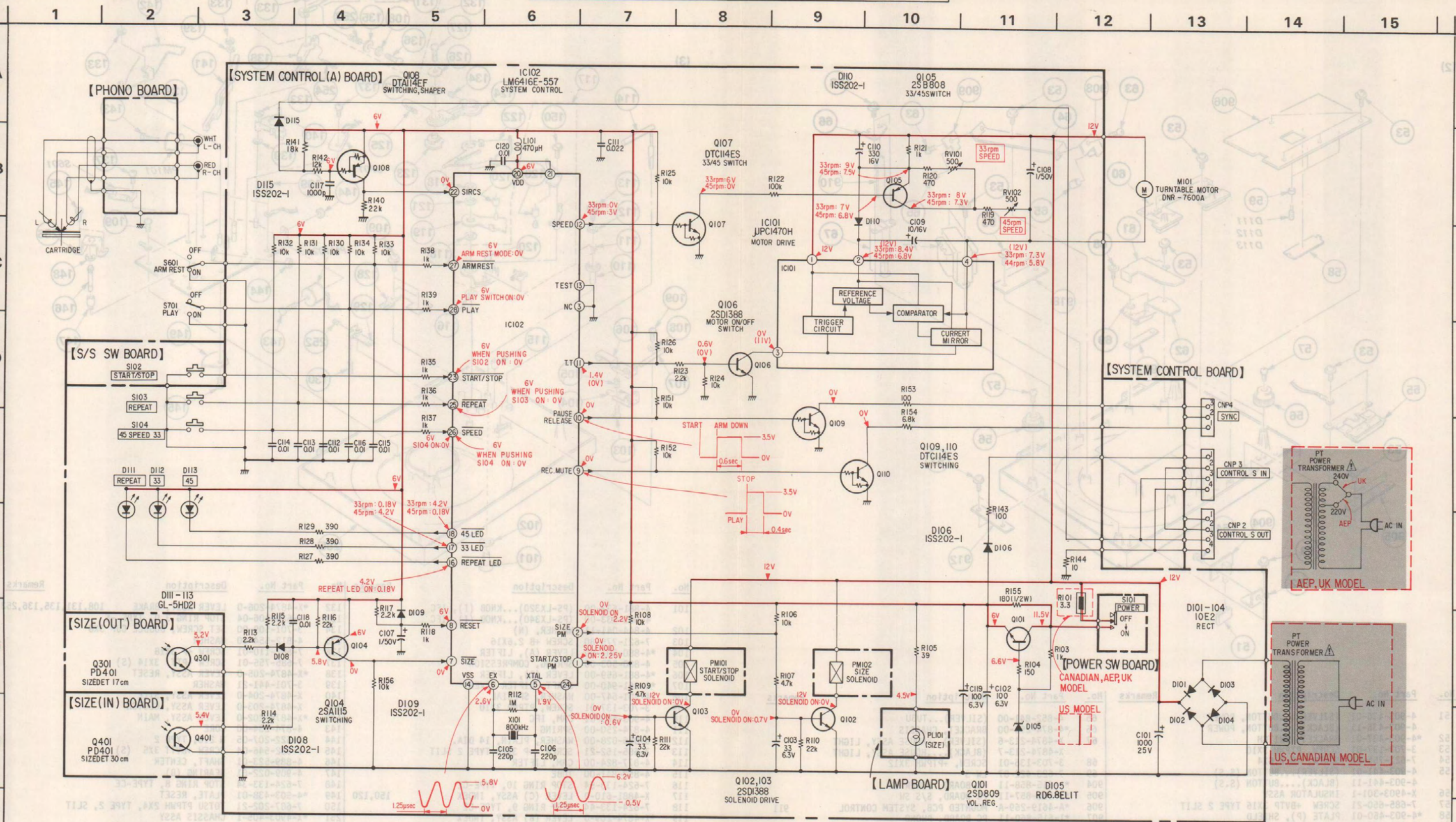
• See page 18 for semiconductor lead layouts.



Note:
• Color code of sleeving over the end of the jacket.



• : parts extracted from the component side.
• : B + pattern



- Note:**
- All capacitors are in μF unless otherwise noted. pF: μF 50 WV or less are not indicated except for electrolytics and tantalums.
 - All resistors are in Ω and $\frac{1}{4}\text{W}$ or less unless otherwise specified.
 - ● : B+ bus.
 - : adjustment for repair.
 - Voltages are dc with respect to ground unless otherwise noted.
 - Readings are taken under no-signal conditions with a VOM (50k Ω /V).
 - no mark: STOP () : PLAY
 - Voltage variations may be noted due to normal production tolerances.

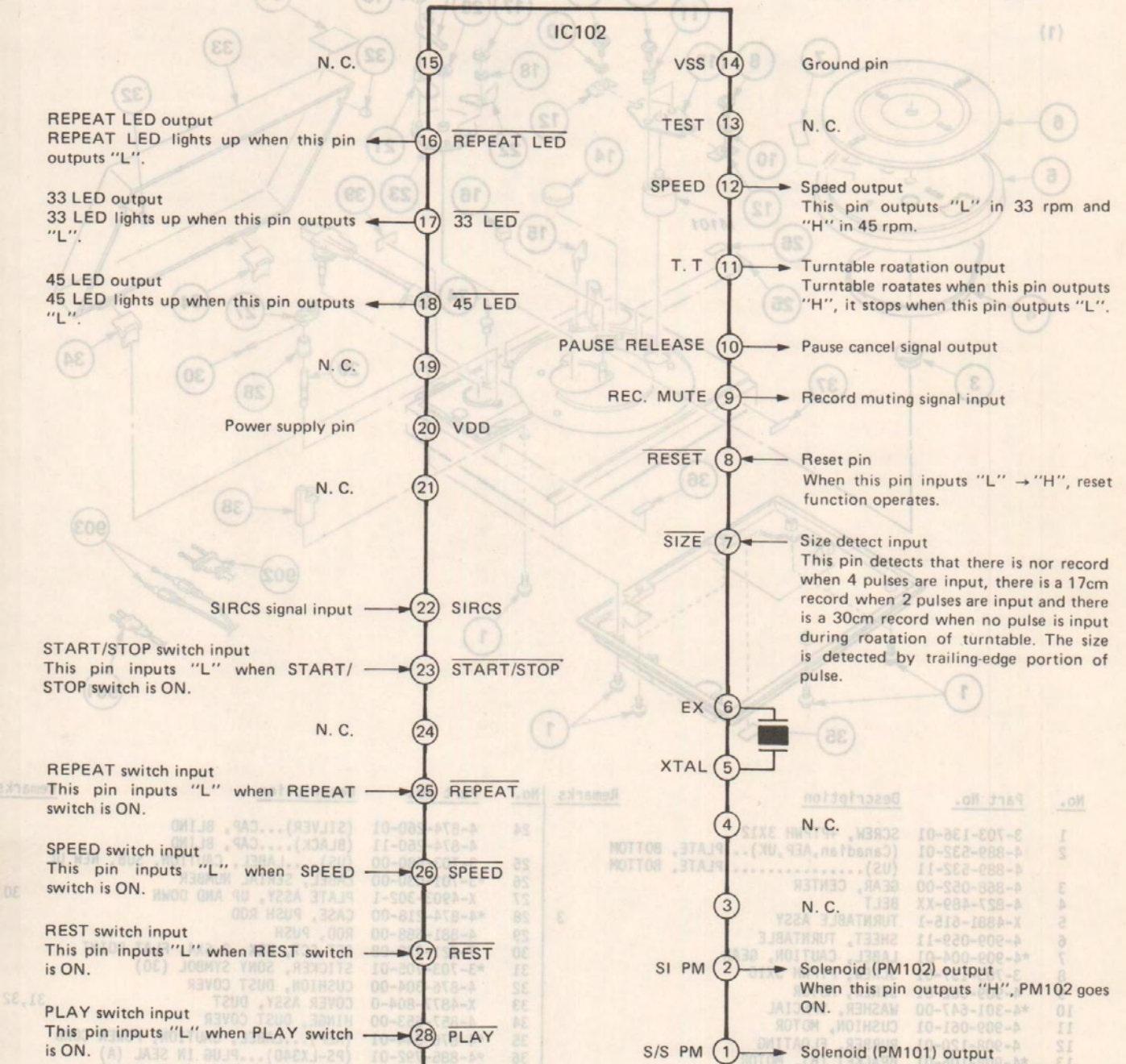
Ref. No.	Switch	Position
S101	POWER	OFF
S102	START/STOP	OFF
S103	REPEAT	OFF
S104	SPEED	OFF
S601	ARM REST	ON
S701	PLAY	OFF

Note: The components identified by shading and mark are critical for safety. Replace only with part number specified.

Note: Les composants identifiés par une trame et une marque sont critiques pour la sécurité. Ne les remplacer que par une pièce portant le numéro spécifié.

[IC102 (LM6414E-557) PIN FUNCTIONS]

IC102 (LM6414E-557) is an N-MOS 4 bit micro-computer for control integrating ROM, RAM, ALU, I/O port, timer, clock generator and etc., into 1-chip.



[IC102 (LM6414E-557) PIN FUNCTIONS]

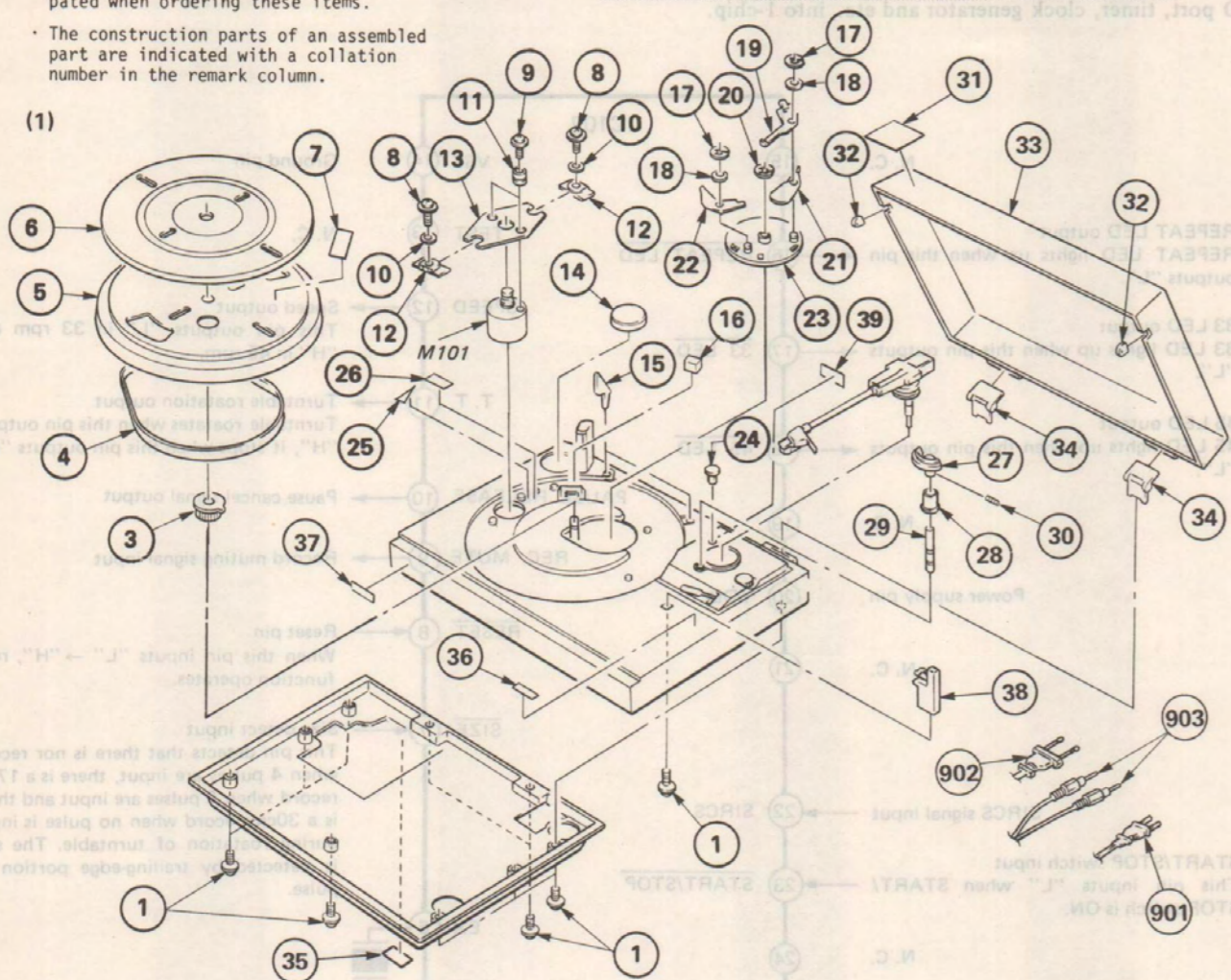
IC102 (LM6414E-557) is an N-MOS 4 bit micro-computer for control integrating ROM, RAM, ALU, I/O port, timer, clock generator and etc., into 1-chip.

NOTE:

- The mechanical parts with no reference number in the exploded views are not supplied.
- Items marked " * " are not stocked since they are seldom required for routine service. Some delay should be anticipated when ordering these items.
- The construction parts of an assembled part are indicated with a collation number in the remark column.

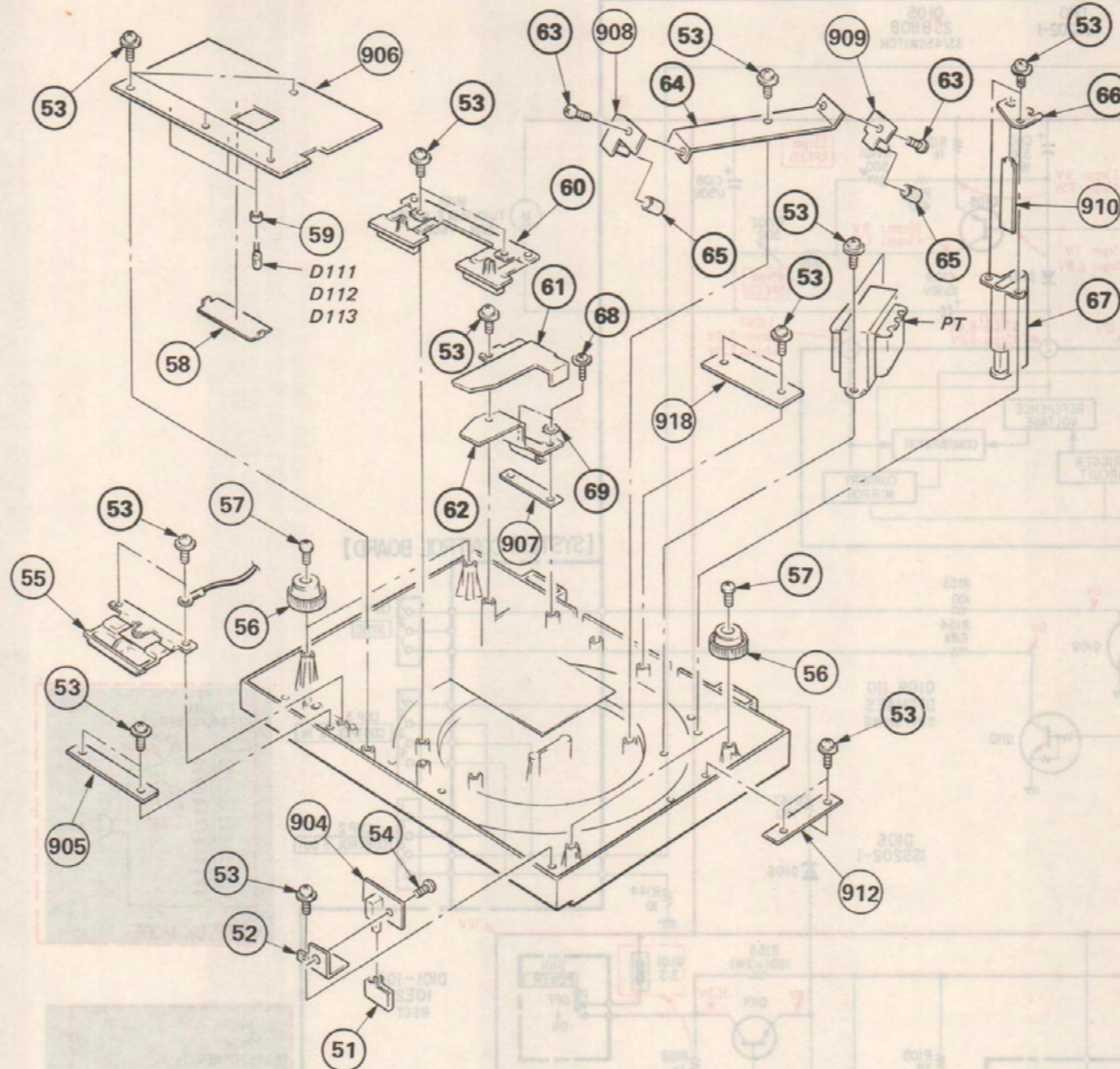
The components identified by shading and mark **A** are critical for safety. Replace only with part number specified.

Les composants identifiés par une trame et une marque **A** sont critiques pour la sécurité. Ne les remplacer que par une pièce portant le numéro spécifié.



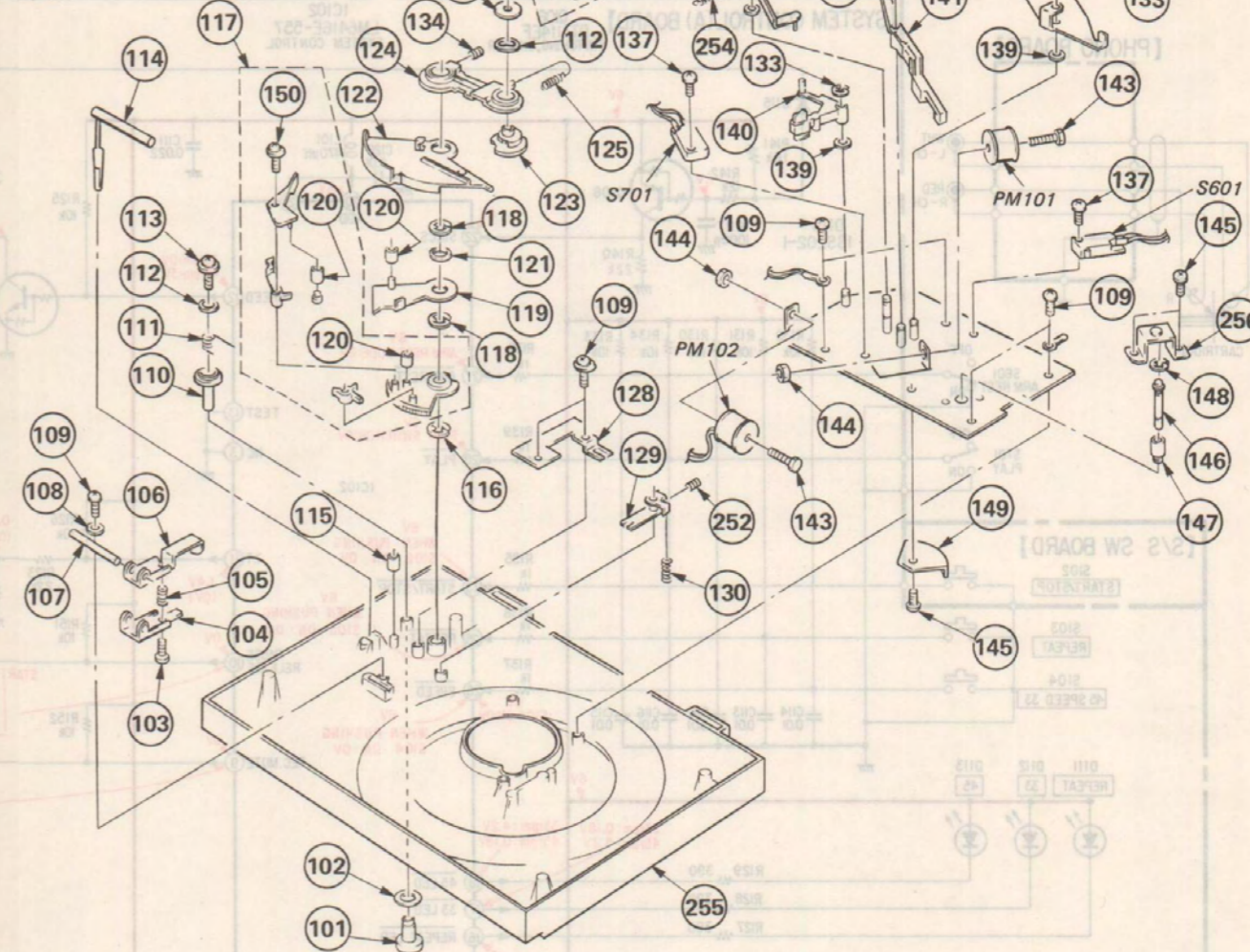
No.	Part No.	Description	Remarks	No.	Part No.	Description	Remarks
1	3-703-136-01	SCREW, +PTPHW 3X12		24	4-874-260-01	(SILVER)...CAP, BLIND	
2	4-889-532-01	(Canadian,AEP,UK)...PLATE, BOTTOM		25	4-874-260-11	(BLACK)...CAP, BLIND	
3	4-889-532-11	(US)...PLATE, BOTTOM		26	3-703-680-00	(US)...LABEL, CAUTION, SUB, NEW UL	
4	4-868-052-00	GEAR, CENTER		27	*3-701-030-00	LABEL, SERIAL NUMBER	30
5	4-827-489-XX	BELT		28	X-4903-302-1	PLATE ASSY, UP AND DOWN	
6	X-4881-615-1	TURNABLE ASSY		29	*4-874-218-00	CASE, PUSH ROD	
7	4-909-059-11	SHEET, TURNABLE		30	4-881-688-00	ROD, PUSH	
8	*4-909-004-01	LABEL, CAUTION, GEAR		31	7-621-738-08	SET-SCT, HEX. 2.6X4, FLAT POINT	
9	3-703-137-01	SCREW, PTPHW 3X10		32	*3-703-705-01	STICKER, SONY SYMBOL (30)	
10	4-909-062-01	SCREW, MOTOR		33	4-876-304-00	CUSHION, DUST COVER	
11	*4-301-647-00	WASHER, SPECIAL		34	X-4877-804-0	COVER ASSY, DUST	31,32
12	4-909-061-01	CUSHION, MOTOR		35	4-857-653-00	HINGE, DUST COVER	
13	4-908-120-01	RUBBER, FLOATING		36	*4-876-344-01	(AEP)...LABEL, CAUTION, POWER CORD	
14	*4-908-106-01	BRACKET (B), MOTOR		37	*4-885-792-01	(PS-LX340)...PLUG IN SEAL (A)	
15	3-701-806-00	ADAPTOR, 45, (E)		38	3-701-690-01	(UK)...LABEL (MADE IN JAPAN)	
16	4-874-262-00	GUIDE, RECORD		39	X-4874-212-1	(SILVER)...REST ASSY, ARM	
17	9-911-843-99	RUBBER, SENSOR			X-4874-212-X	(BLACK)...REST ASSY, ARM	
18	7-624-190-81	STOP RING 2, TYPE-CS			4-903-430-01	(PS-LX320:US,Canadian)...LABEL, MODEL NUMBER	
19	7-623-105-15	W 2, MIDDLE			4-903-432-01	(PS-LX320:AEP)...LABEL, MODEL NUMBER	
20	4-874-254-00	CLUTCH (S)			4-903-433-01	(PS-LX340:US,Canadian)...LABEL, MODEL NUMBER	
21	7-624-106-04	STOP RING 3.0, TYPE -E			4-903-435-01	(PS-LX340:AEP)...LABEL, MODEL NUMBER	
22	4-874-232-00	CLUTCH (R)			*4-903-445-01	(UK)...LABEL, MODEL NUMBER	
23	4-874-279-00	CLUTCH (L)		901	A-1-551-506-XX	(US,Canadian)...CORD, POWER	
					A-1-556-562-11	(UK)...CORD, POWER	
				902	A-1-551-908-11	(AEP)...CORD, POWER, EULU PLUG	
				903	1-551-294-00	CORD	

(2)



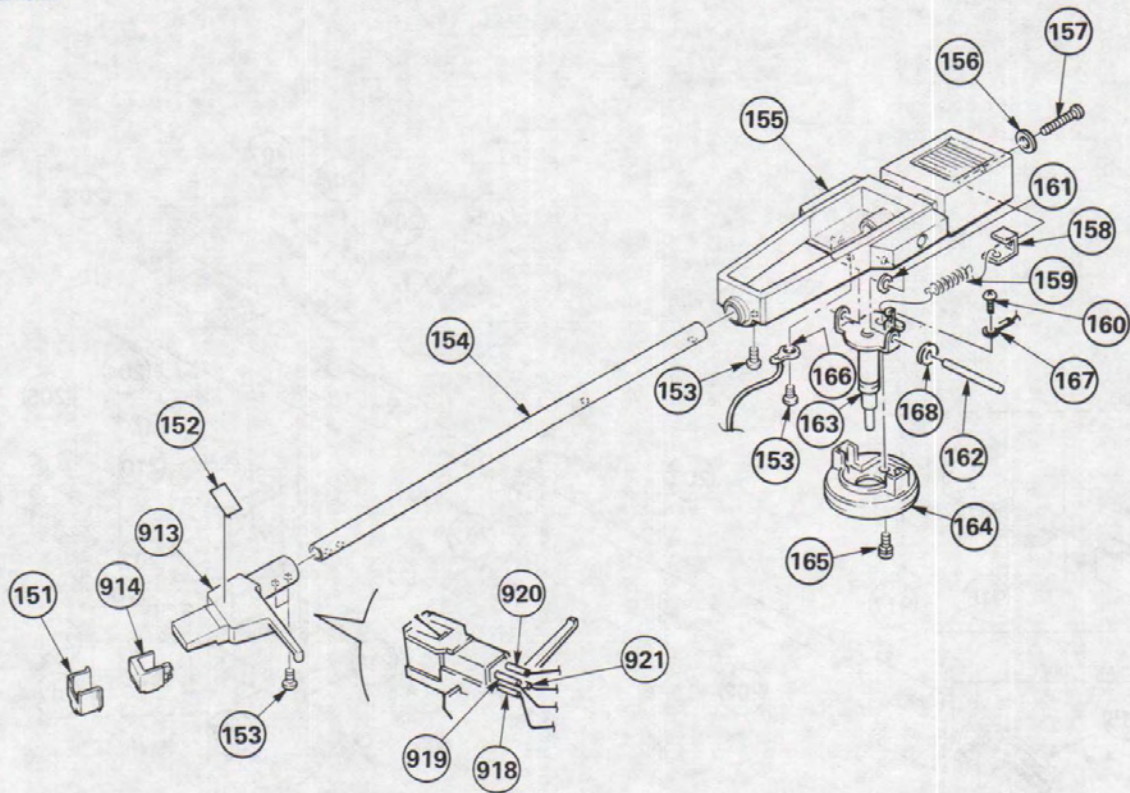
No.	Part No.	Description	Remarks	No.	Part No.	Description	Remarks
51	4-903-436-01	(SILVER)...BUTTON, POWER		65	4-852-841-00	(SILVER)...TUBU	
52	*4-903-437-01	BRACKET, SWITCH		66	*4-874-255-00	BRACKET, CHASSIS	
53	*4-903-437-01	SCREW, PTPHW 3X10		67	X-4874-213-6	(SILVER)...HOUSE ASSY, LIGHT	
54	7-621-755-00	SCREW, +B 2.6X4			X-4874-213-7	(BLACK)...HOUSE ASSY, LIGHT	
55	4-903-441-01	(SILVER)...BUTTON (S.S)		68	3-703-136-01	SCREW, +PTPHW 3X12	
	4-903-441-11	(BLACK)...BUTTON (S.S)		69	7-623-422-07	LW 3	
56	X-4903-301-1	INSULATOR ASSY		904	*1-615-858-11	PC BOARD, POWER SW	
57	7-685-650-21	SCREW +BVTP 3X16 TYPE 2 SLIT		905	*1-615-857-11	PC BOARD, S/S SW	
58	*4-903-450-01	PLATE (P), SHIELD		906	*A-4619-269-A	MOUNTED PCB, SYSTEM CONTROL	911
59	*4-901-657-00	SPACER (A), LED		907	*1-615-860-11	PC BOARD, PHONO	
60	4-903-443-01	BUTTON (SR)		908	*1-615-863-11	PC BOARD, SIZE (IN)	
61	*4-889-526-01	PLATE (UPPER), SHIELD		909	*1-615-862-11	PC BOARD, SIZE (OUT)	
62	*4-889-524-01	PLATE (LOWER), SHIELD		910	*1-615-859-11	PC BOARD, LAMP	
63	7-685-750-04	SCREW +PTT 3X5 (S)		912	*1-615-861-11	PC BOARD, POWER	
64	*4-903-454-01	BRACKET, SENSOR		911	*1-595-602-11	PC BOARD, SYSCON COMBINED	

(3)



No.	Part No.	Description	Remarks	No.	Part No.	Description	Remarks
101	4-881-633-00	(PS-LX320)...KNOB (I), IFC		132	*X-4874-206-0	LEVER ASSY, BRAKE	108,131,135,136,253
	4-903-333-00	(PS-LX340)...KNOB (I), IFC		133	7-624-106-04	STOP RING 3.0, TYPE -E	
102	4-844-041-11	WASHER, (N)		134	3-701-509-00	SET SCREW, DOUBLE CUP 3X8	
103	7-621-775-80	SCREW +B 2.6X16		135	4-812-554-00	WASHER	
104	*4-880-501-00	LEVER (A), LIFTER		136	7-682-110-01	SCREW +P 3X18	
105	4-880-503-00	SPRING, COMPRESSION		137	7-685-755-01	SCREW +PTT 3X14 (S)	
106	*4-881-659-00	LEVER (C), LIFTER		138	*X-4874-205-0	LEVER ASSY, RESET	
107	*4-861-940-00	SHAFT, LIFTER LEVER		139	3-701-441-21	WASHER	
108	*4-301-647-00	WASHER, SPECIAL		140	X-4874-204-0	LEVER ASSY, SIZE	
109	3-703-137-01	SCREW, PTPHW 3X10		141	X-4874-203-0	LEVER ASSY, CLUTCH	
110	4-903-409-01	CAM, IFC		142	*X-4874-202-0	LEVER ASSY, MAIN	
111	4-874-250-00	SPRING		143	4-874-234-00	CORE	
112	0-056-028-00	WASHER, PLAIN, 14 DIA.		144	7-622-207-05	N 2.6, TYPE 2	
113	7-685-152-21	SCREW +P 3X25 TYPE 2 SLIT		145	7-682-546-04	SCREW +BVTT 3X5 (S)	
114	4-877-824-00	CAM, LIFTER		146	4-889-523-01	SHAFT, CENTER	
115	4-852-841-00	TUBE		147	4-909-022-01	BEARING (B)	
116	7-624-133-54	STOP RING 10, TYPE-CE		148	7-624-133-34	STOP RING 8, TYPE-CE	
117	X-4881-610-0	LEVER (C) ASSY, INDEX	150,120	149	*4-903-438-01	PLATE, RESET	
118	7-624-133-44	STOP RING 9, TYPE-CE		150	7-687-202-21	TOTSU PTPHW 2X4, TYPE 2, SLIT	
119	*X-4874-209-0	LEVER (B) ASSY, INDEX		251	*X-4903-405-1	CHASSIS ASSY	
120	4-874-259-00	RUBBER, SHOCK ABSORBING		252	7-621-741-09	SEC-SCREW, HEX, 2.6X8	
121	4-876-324-21	POLY-SLIDER (DIA. 9.5)		253	4-876-322-00	SPRING, COMPRESSION (BRAKE)	
122	4-874-223-00	LEVER (A), ARM		254	4-876-346-00	SPRING, TENSION (RESET)	
123	4-874-231-00	CAM, ECCENTRIC		255	X-4903-406-1	(PS-LX320:US,Canadian)(SILVER)...FRAME ASSY	
124	4-874-277-00	LEVER (B), ARM			X-4903-407-1	(PS-LX320:US,Canadian)(BLACK)...FRAME ASSY	
125	3-548-124-00	SPRING, TENSION			X-4903-408-1	(PS-LX320:AEP,UK)(SILVER)...FRAME ASSY	
126	4-844-041-00	WASHER, (N)			X-4903-409-1	(PS-LX320:AEP,UK)(BLACK)...FRAME ASSY	
127	7-685-145-14	SCREW +P 3X6 TYPE2 SLIT			X-4903-410-1	(PS-LX340:US,Canadian)(SILVER)...FRAME ASSY	
128	*4-903-410-01	RETAINER (C), LIFTER			X-4903-411-1	(PS-LX340:US,Canadian)(BLACK)...FRAME ASSY	
129	*4-876-317-00	GUIDE, LIFTER			X-4903-412-1	(PS-LX340:AEP)(SILVER)...FRAME ASSY	
130	4-903-331-01	SPRING (LIFTER), COMPRESSION			X-4903-413-1	(PS-LX340:AEP)(BLACK)...FRAME ASSY	
131	4-874-275-00	PAD, BRAKE		256	*4-909-021-01	BRACKET, BEARING	

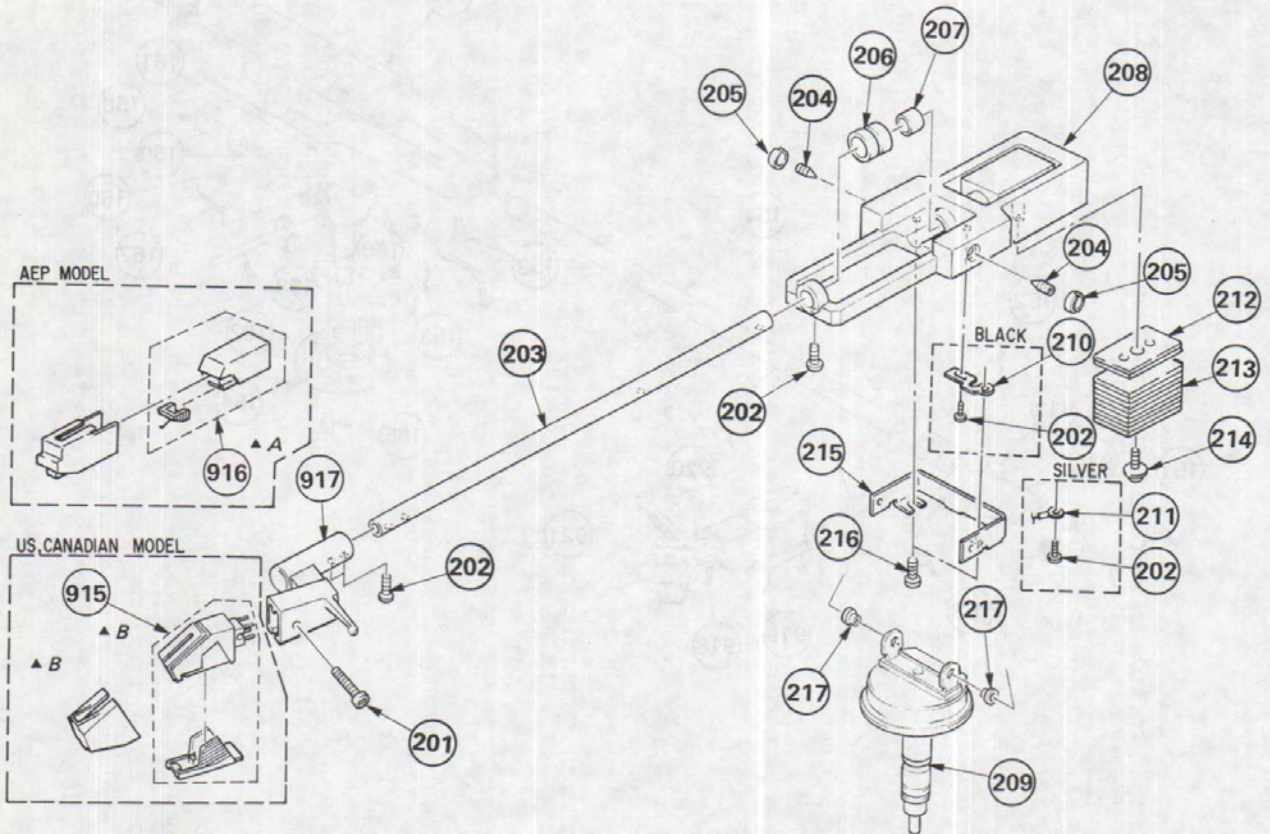
(4) PS-LX320



No.	Part No.	Description	Remarks	No.	Part No.	Description	Remarks
151	3-706-613-00	PROTECTOR		164	4-880-631-00	(SILVER)...JOINT, CENTER	
152	*3-706-612-00	LABEL, CARTRIDGE		165	4-880-631-11	(BLACK)...JOINT, CENTER	
153	7-685-103-24	(SILVER)...SCREW +P 2X5	TYPE2 SLIT	166	7-682-647-01	SCREW +PS 3X6	
	7-621-771-06	(BLACK)...SCREW +P 2X5	TYPE2 SLIT	167	7-623-505-01	LUG, 2	
154	4-889-528-01	(SILVER)...PIPE, ARM		167	7-623-508-01	(BLACK)...LUG, 3	
	4-889-528-11	(BLACK)...PIPE, ARM		168	3-701-437-01	2 φ WASHER	
155	4-889-529-01	(SILVER)...JOINT, PIPE		913	1-549-109-00	(SILVER)...CARTRIDGE (WITH SHELL)	(VL-42G) 151,152,914
	4-889-529-11	(BLACK)...JOINT, PIPE			1-549-109-21	(BLACK)...CARTRIDGE (WITH SHELL)	(VL-42G) 151,152,914
156	7-688-003-11	W 3, MIDDLE		914	*3-706-614-00	(SILVER)...SHELL	
157	7-682-555-04	(SILVER)...SCREW +B 3X30			3-706-614-11	(BLACK)...SHELL	
	7-682-555-09	(BLACK)...SCREW +B 3X30		918	1-556-044-11	LEAD (WITH TERMINAL)	
158	4-868-016-00	HOOK, SPRING		919	1-556-044-21	LEAD (WITH TERMINAL)	
159	4-889-510-00	SPRING, TENSION		920	1-556-044-31	LEAD (WITH TERMINAL)	
160	7-682-545-09	SCREW +B 3X4		921	1-556-044-41	LEAD (WITH TERMINAL)	
161	3-701-437-01	WASHER					
162	4-880-619-00	PIN, HORIZONTAL					
163	X-4881-614-0	POTOR ASSY					

(5) PS-LX340

PS-LX340 (1)



No.	Part No.	Description	Remarks	No.	Part No.	Description	Remarks
201	4-887-481-01	(BLACK)...SCREW (B), CARTRIDGE FITTING		210	7-623-505-01	(SILVER)...LUG, 2	
	4-887-481-11	(SILVER)...SCREW (B), CARTRIDGE FITTING		211	*4-889-539-01	(BLACK)...PLATE, GROUND	
202	7-685-103-24	(SILVER)...SCREW +P 2X5 TYPE 2 SLIT		212	*4-903-350-01	WEIGHT, SUPPORT	
	7-621-771-06	(BLACK)...SCREW +P 2X5 TYPE 2 SLIT		213	4-887-810-01	WEIGHT	
203	4-903-307-01	(SILVER)...PIPE, ARM		214	7-685-134-14	SCREW, TOTSU PTPWH 2.6X8, TYPE 2	
	4-903-307-11	(BLACK)...PIPE, ARM		215	*4-881-628-01	REINFORCEMENT (A)	
204	2-203-518-61	SCREW, PIVOT		216	7-685-105-24	(SILVER)...SCREW +P 2X8 TYPE 2 SILT	
205	2-203-519-02	NUT (A), LOCK, PIVOT			7-685-105-29	(BLACK)...SCREW +P 2X8 TYPE 2 SILT	
206	*4-903-312-01	(SILVER)...WEIGHT, SUB		217	4-881-618-01	BEARING, PIVOT	
	*4-903-312-11	(BLACK)...WEIGHT, SUB		915	1-549-117-11	(US,Canadian:SILVER)...CARTRIDGE (VL-45G)	
207	*4-903-308-01	SHEET (S)			1-549-117-21	(US,Canadian:BLACK)...CARTRIDGE (VL-45G)	
208	4-903-336-01	(SILVER)...JOINT, PIPE		916	A-4505-110-A	(AEP)...OVERALL ASSY, CARTRIDGE	
	4-903-336-11	(BLACK)...JOINT, PIPE		917	*1-562-517-31	(SILVER)...CONNECTOR (WITH HEAD SHELL 4P)	
209	X-4881-611-1	(SILVER)...JOINT ASSY, CENTER			*1-562-517-41	(BLACK)...CONNECTOR (WITH HEAD SHELL 4P)	
	X-4881-611-2	(BLACK)...JOINT ASSY, CENTER					

SECTION 6 ELECTRICAL PARTS LIST

NOTE:

- Items marked " * " are not stocked since they are seldom required for routine service. Some delay should be anticipated when ordering these items.
- If there are two or more same circuits in a set such as a stereophonic machine, only typical circuit parts may be indicated and capacitors and resistors in other same circuits may be omitted.

CAPACITORS:
MF:μF, PF:μμF.

RESISTORS
• All resistors are in ohms.
• F : nonflammable

COILS
• MMH : mH, UH : μH

SEMICONDUCTORS
In each case, U : μ, for example:
UA...: μA..., UPA...: μPA..., UPC...: μPC,
UPD...: μPD...

The components identified by shading and mark Δ are critical for safety. Replace only with part number specified.

Les composants identifiés par une trame et une marque Δ sont critiques pour la sécurité. Ne les remplacer que par une pièce portant le numéro spécifié.

ELECTRICAL PARTS

Ref.No.	Part No.	Description
901	Δ .1-551-506-XX Δ .1-556-562-11	(US,Canadian)...CORD, POWER (UK).....CORD, POWER
902	Δ .1-551-908-11	(AEP)...CORD, POWER, EURO PLUG
903	1-551-294-00	CORD
904	*1-615-858-11	PC BOARD, POWER SW
905	*1-615-857-11	PC BOARD, S/S SW
906	*A-4619-269-A	MOUNTED PCB, SYSTEM CONTROL
907	*1-615-860-11	PC BOARD, PHONO
908	*1-615-863-11	PC BOARD, SIZE (IN)
909	*1-615-862-11	PC BOARD, SIZE (OUT)
910	*1-615-859-11	PC BOARD, LAMP
912	*1-615-861-11	PC BOARD, POWER
913	1-549-109-00 1-549-109-21	(SILVER)..CARTRIDGE(WITH SHELL)(VL-42G) (BLACK)...CARTRIDGE(WITH SHELL)(VL-42G)
914	*3-706-614-00 3-706-614-11	(SILVER)...SHELL (BLACK)...SHELL
915	1-549-117-11 1-549-117-21	(US,Canadian:SILVER)...CARTRIDGE(VL-45G) (US,Canadian:BLACK)...CARTRIDGE(VL-45G)
916	A-4505-110-A	(AEP)...OVERALL ASSY, CARTRIDGE
917	*1-562-517-31 *1-562-517-41	(SILVER)...CONNECTOR(WITH HEAD SHELL 4P) (BLACK)...CONNECTOR(WITH HEAD SHELL 4P)
918	1-556-044-11 *1-595-602-11	LEAD (WITH TERMINAL) PC BOARD, SYSCON COMBINED
919	1-556-044-21	LEAD, WITH TERMINAL
920	1-556-044-31	LEAD (WITH TERMINAL)
921	1-556-044-41	LEAD (WITH TERMINAL)
C101	1-123-337-00	ELECT 1000MF 20% 25V
C102	1-123-661-00	ELECT 100MF 20% 6.3V
C103	1-123-646-00	ELECT 33MF 20% 6.3V
C104	1-123-646-00	ELECT 33MF 20% 6.3V
C105	1-162-286-31	CERAMIC 220PF 10% 50V
C106	1-162-286-31	CERAMIC 220PF 10% 50V
C107	1-123-611-00	ELECT 1MF 20% 50V
C108	1-123-611-00	ELECT 1MF 20% 50V
C109	1-123-617-00	ELECT 10MF 20% 16V
C110	1-123-322-00	ELECT 330MF 20% 16V
C111	1-161-494-00	CERAMIC 0.022MF 30% 25V
C112	1-162-306-31	CERAMIC 0.01MF 30% 16V
C113	1-162-306-31	CERAMIC 0.01MF 30% 16V
C114	1-162-306-31	CERAMIC 0.01MF 30% 16V
C115	1-162-306-31	CERAMIC 0.01MF 30% 16V
C116	1-162-306-31	CERAMIC 0.01MF 30% 16V
C117	1-162-294-31	CERAMIC 0.001MF 10% 50V
C118	1-162-306-31	CERAMIC 0.01MF 30% 16V
C119	1-123-661-00	ELECT 100MF 20% 6.3V
C120	1-162-306-31	CERAMIC 0.01MF 30% 16V

ELECTRICAL PARTS

Ref.No.	Part No.	Description
CNP1	*1-564-706-11	PIN, CONNECTOR (SMALL TYPE) 4P
CNP2	*1-564-980-11	PIN, CONNECTOR 4P (CONTROL S OUT)
CNP3	*1-564-980-11	PIN, CONNECTOR 4P (CONTROL S IN)
CNP4	1-564-358-00	PIN, CONNECTOR 3P (SYNC)
D101	8-719-200-02	DIODE 10E2
D102	8-719-200-02	DIODE 10E2
D103	8-719-200-02	DIODE 10E2
D104	8-719-200-02	DIODE 10E2
D105	8-719-102-76	DIODE RD6.8E-N1
D106	8-719-107-94	DIODE 1SS202-1
D108	8-719-107-94	DIODE 1SS202-1
D109	8-719-107-94	DIODE 1SS202-1
D110	8-719-107-94	DIODE 1SS202-1
D111	8-719-906-58	DIODE GL-5HD21
D112	8-719-906-58	DIODE GL-5HD21
D113	8-719-906-58	DIODE GL-5HD21
D115	8-719-107-94	DIODE 1SS202-1
IC101	8-759-103-35	IC UPC1470H
IC102	8-759-801-85	IC LM6416E-557
L101	1-407-177-XX	MICRO INDUCTOR 470UH
M101	8-835-126-01	MOTOR, DC (DNR-7600A)
PL101	1-518-268-00	LAMP, PILOT
PM101	1-454-394-21	SOLENOID, PLUNGER
PM201	1-454-394-21	SOLENOID, PLUNGER
PT	Δ .1-448-196-11	(AEP,UK).....TRANSFORMER, POWER
PT	Δ .1-448-195-11	(US,Canadian)...TRANSFORMER, POWER
Q101	8-729-180-93	TRANSISTOR 2SD809
Q102	8-729-802-34	TRANSISTOR 2SD1388
Q103	8-729-802-34	TRANSISTOR 2SD1388
Q104	8-729-173-37	TRANSISTOR 2SA733-P
Q105	8-729-800-83	TRANSISTOR 2SB808
Q106	8-729-802-34	TRANSISTOR 2SD1388
Q107	8-729-900-80	TRANSISTOR DTC114ES
Q108	8-729-900-38	TRANSISTOR DTA114EF
Q109	8-729-900-80	TRANSISTOR DTC114ES
Q110	8-729-900-80	TRANSISTOR DTC114ES
Q301	8-729-902-39	TRANSISTOR PD401
Q401	8-729-902-39	TRANSISTOR PD401
R101	1-806-883-11	(CAanadian,AEP,UK)..THERMISTOR(POSITIVE)
R103	1-247-831-00	CARBON 1K 5% 1/6W
R104	1-247-811-00	CARBON 150 5% 1/6W
R105	1-247-097-00	CARBON 39 5% 1/4W
R106	1-247-855-00	CARBON 10K 5% 1/6W
R107	1-247-847-00	CARBON 4.7K 5% 1/6W

ELECTRICAL PARTS

Ref.No.	Part No.	Description			
R108	1-247-855-00	CARBON	10K	5%	1/6W
R109	1-247-847-00	CARBON	4.7K	5%	1/6W
R110	1-247-863-00	CARBON	22K	5%	1/6W
R111	1-247-863-00	CARBON	22K	5%	1/6W
R112	1-247-903-00	CARBON	1M	5%	1/6W
R113	1-249-421-11	CARBON	2.2K	5%	1/6W
R114	1-249-421-11	CARBON	2.2K	5%	1/6W
R115	1-247-863-00	CARBON	22K	5%	1/6W
R116	1-247-863-00	CARBON	22K	5%	1/6W
R117	1-249-421-11	CARBON	2.2K	5%	1/6W
R118	1-247-831-00	CARBON	1K	5%	1/6W
R119	1-214-721-00	METAL	470	1%	1/4W
R120	1-214-719-00	METAL	390	1%	1/4W
R121	1-247-831-00	CARBON	1K	5%	1/6W
R122	1-247-879-00	CARBON	100K	5%	1/6W
R123	1-249-421-11	CARBON	2.2K	5%	1/6W
R124	1-247-855-00	CARBON	10K	5%	1/6W
R125	1-247-855-00	CARBON	10K	5%	1/6W
R126	1-247-855-00	CARBON	10K	5%	1/6W
R127	1-247-821-00	CARBON	390	5%	1/6W
R128	1-247-821-00	CARBON	390	5%	1/6W
R129	1-247-821-00	CARBON	390	5%	1/6W
R130	1-247-855-00	CARBON	10K	5%	1/6W
R131	1-247-855-00	CARBON	10K	5%	1/6W
R132	1-247-855-00	CARBON	10K	5%	1/6W
R133	1-247-855-00	CARBON	10K	5%	1/6W
R134	1-247-855-00	CARBON	10K	5%	1/6W
R135	1-247-831-00	CARBON	1K	5%	1/6W
R136	1-247-831-00	CARBON	1K	5%	1/6W
R137	1-247-831-00	CARBON	1K	5%	1/6W
R138	1-247-831-00	CARBON	1K	5%	1/6W
R139	1-247-831-00	CARBON	1K	5%	1/6W
R140	1-247-863-00	CARBON	22K	5%	1/6W
R141	1-247-861-00	CARBON	18K	5%	1/6W
R142	1-247-857-00	CARBON	12K	5%	1/6W
R143	1-247-807-00	CARBON	100	5%	1/6W
R144	1-247-783-00	CARBON	10	5%	1/6W
R151	1-247-855-00	CARBON	10K	5%	1/6W
R152	1-247-855-00	CARBON	10K	5%	1/6W
R153	1-247-807-00	CARBON	100	5%	1/6W
R154	1-247-851-00	CARBON	6.8K	5%	1/6W
R155	1-247-222-00	CARBON	180	5%	1/2W
R156	1-247-855-00	CARBON	10K	5%	1/6W
RV101	1-226-232-00	RES, ADJ, CARBON 500			
RV102	1-226-232-00	RES, ADJ, CARBON 500			

ELECTRICAL PARTS

Ref.No.	Part No.	Description
S101	△1-553-909-00	SWITCH, PUSH (1 KEY)(POWER)
S102	1-553-856-00	SWITCH, KEY BOARD (START/STOP)
S103	1-553-856-00	SWITCH, KEY BOARD (REPEAT)
S104	1-553-856-00	SWITCH, KEY BOARD (SPEED)
S601	1-570-149-11	SWITCH, MICRO (ARMLEST)(PLAY)
S701	1-570-149-11	SWITCH, MICRO (ARMLEST)(PLAY)
X101	1-567-342-11	OSCILLATOR, CERAMIC

ACCESSORY & PACKING MATERIAL

Part No.	Description
1-556-372-41	CORD, CONNECTION (4 CORE)
1-557-109-21	CORD, CONNECTION
3-701-630-00	BAG, POLYETHYLENE
3-701-634-00	BAG, POLYETHYLENE
3-701-690-01	(UK)...LABEL (MADE IN JAPAN)
3-701-806-00	ADAPTOR, 45, (E)
3-703-680-00	(US)...LABEL, CAUTION, SUB, NEW UL
3-760-544-11	(Canadian,AEP,UK)...MANUAL, INSTRUCTION
3-760-544-21	(US).....MANUAL, INSTRUCTION
3-760-544-41	(AEP).....MANUAL, INSTRUCTION
3-794-123-11	LABEL, CAUTION
4-862-043-00	CUSHION, ARM
4-862-680-00	(BLACK)...PROTECTOR
4-862-680-00	(SILVER)...PROTECTOR
4-874-262-00	GUIDE, RECORD
4-876-320-00	SPACER, CLUTCH
*4-876-344-01	(AEP)...LABEL, CAUTION, POWER CORD
4-876-352-00	SHEET, PROTECTION
4-881-698-00	PLATE, PROTECTION
*4-885-792-01	(PS-LX340)...PLUG IN SEAL (A)
4-889-536-01	CUSHION (LEFT)
4-889-537-01	CUSHION (RIGHT)
4-889-538-01	HOLDER, TURNTABLE
4-903-422-01	(PS-LX340)...HOLDER, ARM
4-903-430-01	(PS-LX320:US,Canadian)...LABEL, MODEL NUMBER
4-903-432-01	(PS-LX320:AEP).....LABEL, MODEL NUMBER
4-903-433-01	(PS-LX340:US,Canadian)...LABEL, MODEL NUMBER
4-903-435-01	(PS-LX340:AEP).....LABEL, MODEL NUMBER
4-903-445-01	(UK).....LABEL, MODEL NUMBER
4-903-447-01	INDIVIDUAL CARTON
*4-909-004-01	LABEL, CAUTION, GEAR
4-909-059-11	(US).....SHEET, TURNTABLE
4-909-059-01	(Canadian,AEP,UK)...SHEET, TURNTABLE

<p>The components identified by shading and mark △ are critical for safety. Replace only with part number specified.</p>	<p>Les composants identifiés par une trame et une marque △ sont critiques pour la sécurité. Ne les remplacer que par une pièce portant le numéro spécifié.</p>
---	---